

# ***ELYTONE ELECTRONIC CO.,LTD.***

## ***APPROVAL SHEETS***

**Customer** : CODICO

**Part No.** : 262661      **Rev.** :

**Sample No.** : YT-61083-1      **Date of submission** : 2021/7/14

**Product** : Transformer (T6x3x3C SMD)

Please note items listed below does not meet your printed specifications and requires your consent for deviation:

Item	Printed Specification	Proposed Specification

Remark :

ALL MATERIAL MEET RoHS

Qualified to AEC-Q200

The product has passed the hi-pot test 100%.

Operating Temperature form -40°C to 125°C including temp rise.



Please evaluate the samples, sign this approval sheet, and return by FAX to ELYTONE

- Approved
- Disapproved
- Conditional Approved

Comment :

---



---



---

***Engineer: Kotting***

***Verified: Johnsen***

***Approved by :***

# ***ELYTONE ELECTRONIC CO.,LTD.***

## ***APPROVAL SHEETS***

**Customer** : CODICO

**Part No.** : 262661

**Rev.** :

**Sample No.** : YT-61083-1

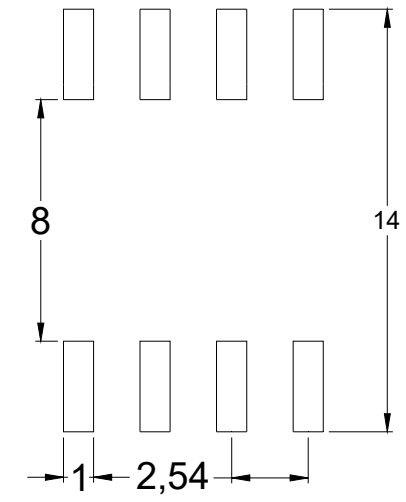
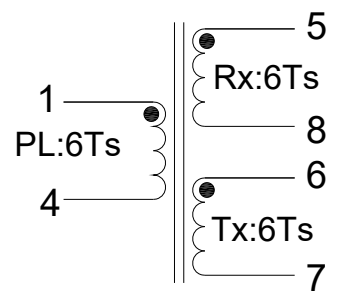
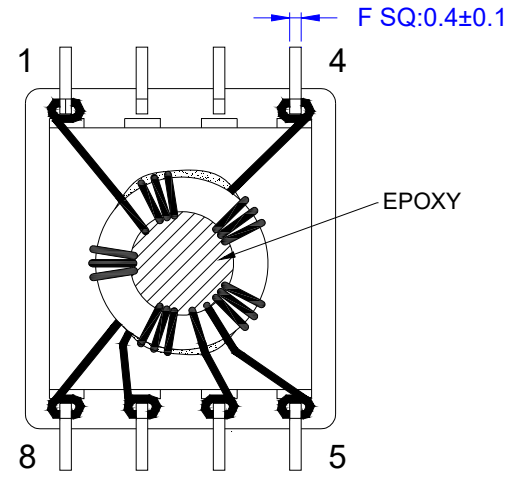
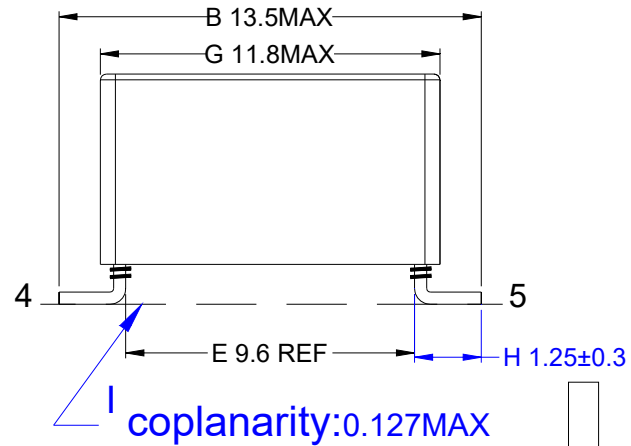
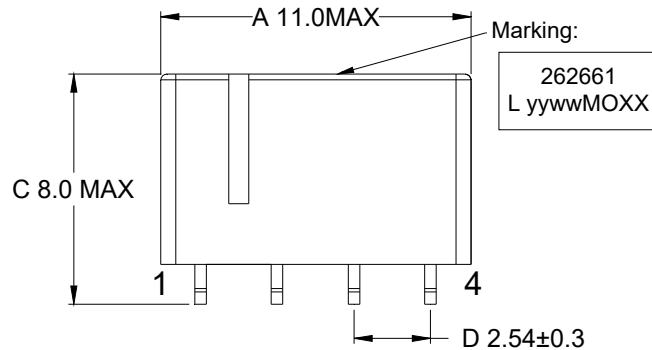
**Date of submission** : 2021/7/14

**Product** : Transformer (T6x3x3C SMD)

<b>YT No.</b>	<b>Description of record1</b>	<b>Date</b>
YT-61083-1	Original SPEC	2019/06/21
YT-61083-1	Add instructions” The product has passed the hi-pot test 100%” and “Operating Temperature form -40°C to 125°C including temp rise”.	2019/10/1
YT-61083-1	Modify mechanical size F and add size H and modify coplanarity specifications.	2021/7/14

# ELYTONE ELECTRONIC CO.,LTD.

## Mechanical dimension & Schematic



(BOTTOM VIEW)

UNIT:mm

Suggested PCB Layout

Remark:ALL MATERIAL MEET RoHS

Customer : CODICO	Part No. : 262661	Rev.:	Sample No. : YT-61083-1
-------------------	-------------------	-------	-------------------------

# ***ELYTONE ELECTRONIC CO.,LTD.***

<b>Electrical Requirements :</b>				<b>Remark :</b>												
Testing Item	Specification	Pin No.	Samples tested data													
			1	2	3	4	5	6	7	8	9	10				
©	INDUCTANCE @2.0MHz, 1.0Vrms WK-6500B	8.0μH MIN	5-8	8.34	8.31	8.80										
		8.0μH MIN	6-7	8.36	8.33	8.80										
		8.0μH MIN	1-4	8.4	8.37	8.85										
DC RESISTANCE 502AC		52.0mΩ MAX	5-8	39.76	39.33	38.35										
		52.0mΩ MAX	6-7	39.24	39.18	38.21										
		52.0mΩ MAX	1-4	39.05	40.83	37.97										
HI-POT TEST GPT-615		500VAC, 1mA, 1Sec	1-5.6	OK	OK	OK										
		500VAC, 1mA, 1Sec	5-6	OK	OK	OK										
Interwinding capacitance @100kHz, 0.1Vrms WK-6500B	9.0pFMAX	1-8 (TIE7+8)	3.2	3.5	3.7											

<b>Dimension Measurement :</b>				<b>UNIT: mm</b>											
Equipment	Specification	Position	Samples Tested Data												
micrometer	11.0MAX	A	10.42	10.42	10.43										
Mitutoyo CD-6"B	13.5MAX	B	12.16	12.07	12.11										
	8.0MAX	C	7.60	7.54	7.56										
	2.54±0.3	D	2.61	2.50	2.56										
	9.6REF	E	9.73	9.63	9.68										
	SQ:0.4	F	0.4	0.4	0.4										
	11.8MAX	G	11.44	11.45	11.45										
	1.25±0.3	H													
	0.127 MAX	I													

<b>Customer :</b> CODICO	<b>Part No. :</b> 262661	<b>Rev.:</b>	<b>Sample No. :</b> YT-61083-1
--------------------------	--------------------------	--------------	--------------------------------