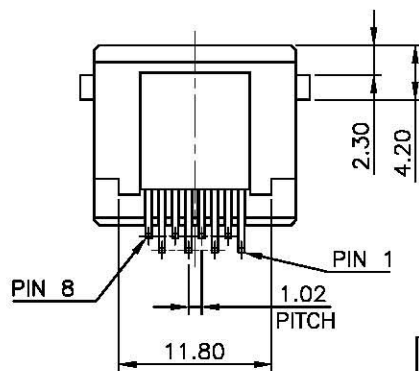
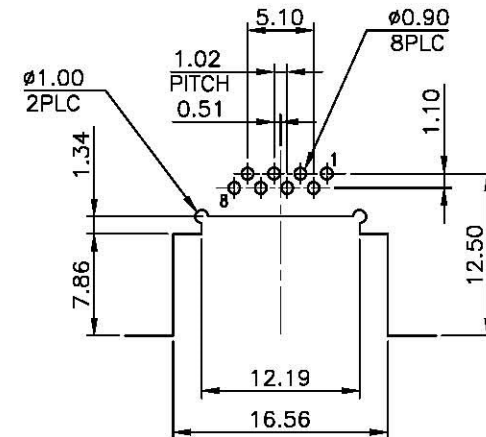
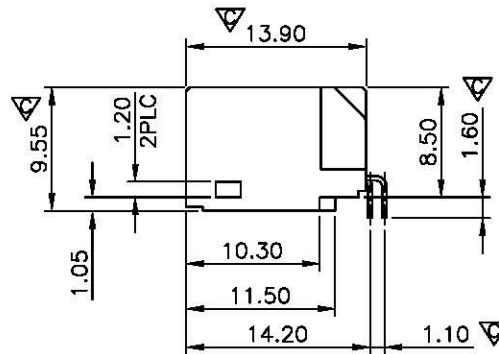
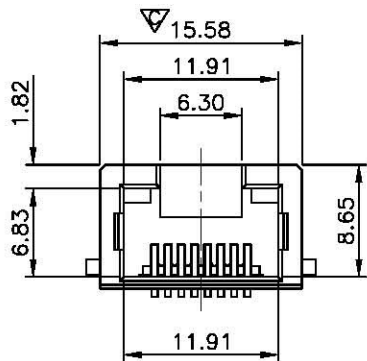
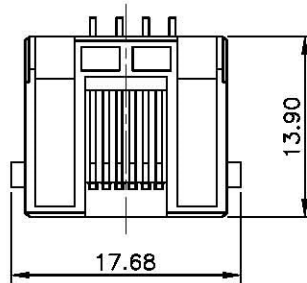


RoHS Compliance



NOTE:

CAVITY CONFIRMS TO FCC RULES AND REGULATIONS PART 68, SUBPART F.

1. MATERIAL:

- 1.1 HOUSING: PA4T, WITH GLASS FIBER, UL94V-0, STANDARD COLOR-BLACK.
- 1.2 INSERT HOUSING: PA4T, WITH GLASS FIBER, UL94V-0, STANDARD COLOR-BLACK.
- 1.3 CONTACTS: PHOSPHOR BRONZE.

2. FINISH:

- 2.1 CONTACTS: GOLD PLATED ON CONTACT AREA, GOLD FLASH PLATED ON SOLDER TAIL, 1.27μm [50μ] MIN. NICKEL UNDERPLATED OVERALL.

3. "▽" SHOWS QIP INSPECTION POINT.

RECOMMENDED PCB LAYOUT
RECOMMENDED PCB THICKNESS: 1.2mm.
TOLERANCE: ±0.05 (TOP VIEW)



CODICO GmbH
Zwingenstraße 6-8, 2380 Perchtoldsdorf, Austria
Telefon: +43 1 86 305-0, Fax: +43 1 86 305-5000
e-mail: office@codico.com, www.codico.com
FN 436940i, Landesgericht Wr. Neustadt

Zertifiziert nach ISO 9001:2015

THIS DRAWING IS A CONTROLLED DOCUMENT.
DO NOT SCALE DRAWING.

DIMENSIONS: MM	TOLERANCES UNLESS OTHERWISE SPECIFIED:
	0 PLC ± -
	1 PLC ± 0.25
	2 PLC ± 0.20
	3 PLC ± 0.10
ANGLES	± -

THIRD ANGLE PROJECTION

MATERIAL SEE NOTES FINISH SEE NOTES

DWN *A.HUANG* DATE MAY-18-2015

CHK *M.CHANG* DATE MAY-18-2015

APVD *W.J.YANG* DATE MAY-19-2015

TAITEK COMPONENTS CO., LTD

TITLE
MODULAR JACK, RJ45,
WITHOUT SHELL, DIP TYPE

LTR	DESCRIPTION	DATE	APVD
REVISIONS			

SIZE	GAUGE CODE	DRAWING NO
A3	-	281681
WEIGHT	- GRAMS Ref.	REV 1 SHEET 1

RoHS Compliance

PRODUCT NO.	HOUSING P/N	SUB-ASSEMBLY P/N	LOGO	REMARK
281681	76166-023	5091-881X-Q-HFG		NON-LOGO/COLOR-BLACK/PA4T/TRAY PACKAGE P-9798-T01



CODICO GmbH
 Zwingenstraße 6-8, 2380 Perchtoldsdorf, Austria
 Telefon: +43 1 86 305-0, Fax: +43 1 86 305-5000
 e-mail: office@codico.com, www.codico.com
 FN 436940i, Landesgericht Wr. Neustadt

Zertifiziert nach ISO 9001:2015

THIS DRAWING IS A CONTROLLED DOCUMENT.
DO NOT SCALE DRAWING.

DIMENSIONS: MM	TOLERANCES UNLESS OTHERWISE SPECIFIED:
-------------------	---

	0 PLC ± - 1 PLC ± - 2 PLC ± - 3 PLC ± - ANGLES ± -
--	--

MATERIAL	FINISH
SEE NOTES	SEE NOTES

DWN	DATE
A.HUANG	MAY-18-2015

CHK	DATE
M.CHANG	MAY-18-2015

APVD	DATE
W.J.YANG	MAY-19-2015

TAITEK COMPONENTS CO., LTD

TITLE
 MODULAR JACK, RJ45,
 WITHOUT SHELL, DIP TYPE

SIZE	CAUSE CODE	DRAWING NO
A3	-	281681
WEIGHT	GRAMS Ref.	REV - SHEET 2
-	-	-

LTR	DESCRIPTION	DATE	APVD
REVISIONS			

查詢用
TERMINAL P/N
8179