

1. Device Name TCXO
2. Model Name DSB221SDN
3. Nominal Frequency 16.368 MHz
4. Mass 0.02g max.
5. Absolute Maximum Ratings

	Item	Symbol	Rating	unit
1	Supply Voltage	V <sub>CC</sub>	-0.3~+4.6	V
2	Storage Temperature Range	T <sub>STG</sub>	-40~+85	°C

#### 6. Recommended Operating Conditions

	Item	Symbol	min.	typ.	max.	unit
1	Supply Voltage	V <sub>CC</sub>	+1.71	+1.8	+1.89	V
2	Load Impedance (resistance part) (parallel capacitance)	LOAD_R	9	10	11	kΩ
		LOAD_C	9	10	11	pF
3	Operating Temperature Range	T <sub>OPR</sub>	-40	-	+85	°C

#### 7. Electrical Characteristics

(T<sub>A</sub>=-40~+85°C, LOAD\_R//C=10kΩ//10pF, V<sub>CC</sub>=+1.8V, unless otherwise noted)

	Item	Conditions	Limits			unit	Notes
			min.	typ	max.		
1	Current Consumption		-	-	+1.5	mA	
2	Output Level		0.8	-	-	V <sub>P-P</sub>	1
3	Symmetry	GND level (DC cut)	40/60	-	60/40	%	
4	Harmonics		-	-	-5	dBc	
5	Frequency Stability 1.Tolerance	At Shipping Ref. to nominal frequency	-	-	±0.5	ppm	2
		After 2 times reflow Ref. to nominal frequency	-	-	±1.0	ppm	2,3
	2.vs Temperature	T <sub>A</sub> =-40~+85°C Ref. to frequency (T <sub>A</sub> =+25°C)	-	-	±0.5	ppm	
	3.vs Supply Voltage	V <sub>CC</sub> =+1.8V±5%	-	-	±0.2	ppm	
	4.vs Load Variation	LOAD_R//C=(10kΩ//10pF)±10%	-	-	±0.2	ppm	
	5.vs Aging	T <sub>A</sub> =Room ambient	-	-	±0.5	ppm/year	
6	Start Up Time	@90% of final Vout level	-	-	2.0	ms	
7	SSB Phase Noise	Relative to f0 level offset 1kHz	-	-	-135	dBc/Hz	

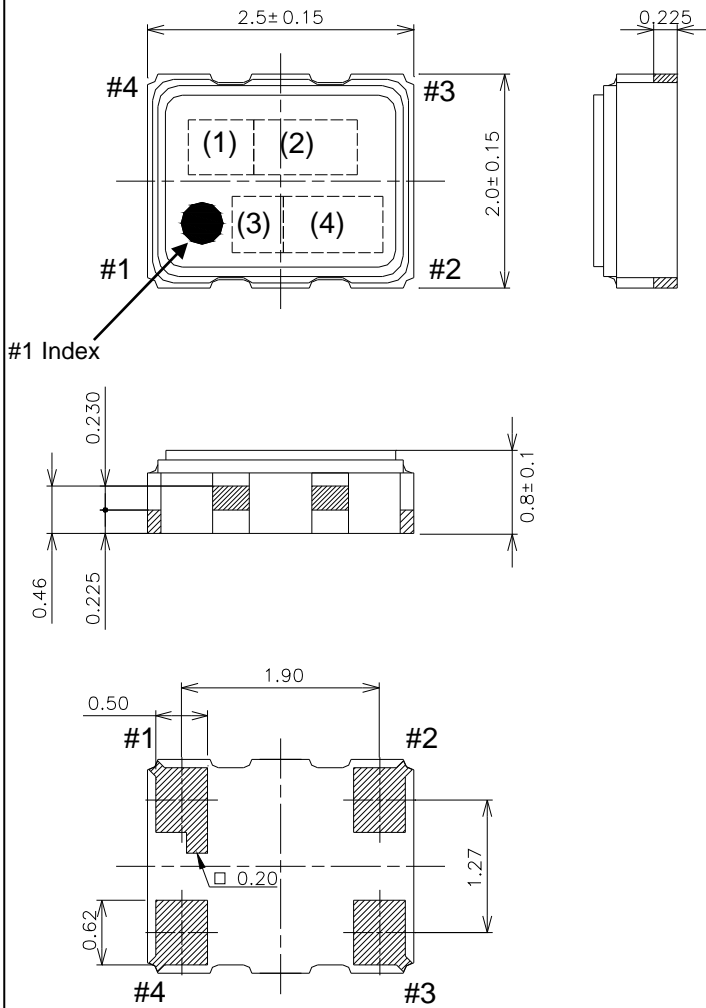
#### Notes

1. Clipped sine wave (DC-coupled)
2. T<sub>A</sub>=+25°C
3. Please leave after reflow in 2h or more at room ambient.
4. 1 Frequency reading for every 2°C

TITLE DSB221SDN TYPE SPECIFICATION		Remark T16-0203		
Date 2016/03/28	Spec. No. 1XXB16368MZA	Rev. -	Page 1/2	

## 8. Outline, Pin Connections

### Outline



### Pin Connections

Pin No.	Connection
#1	GND
#2	GND
#3	Output
#4	V <sub>CC</sub>

### Marking

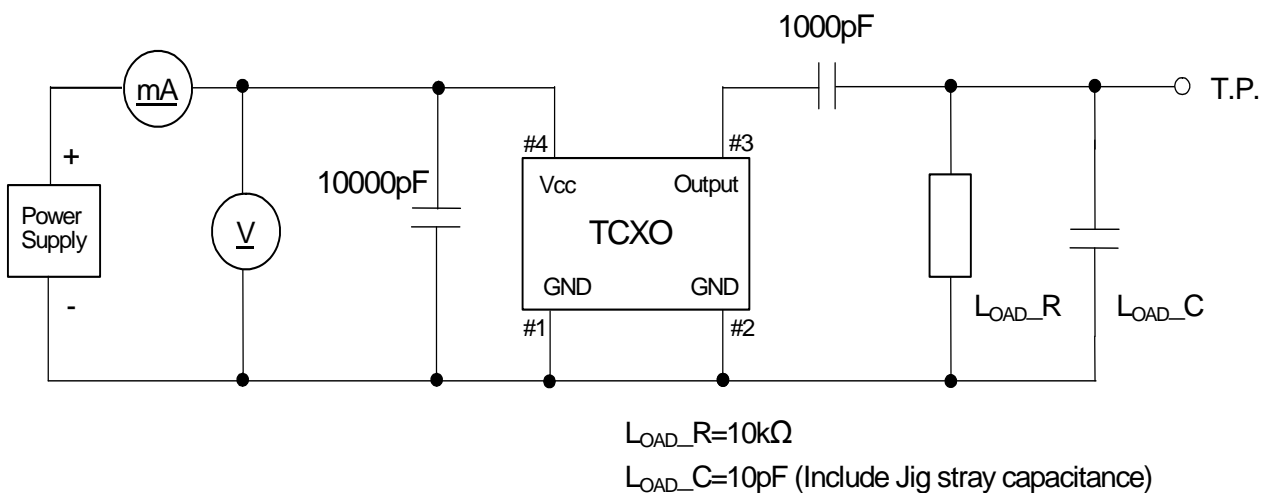
(1) Model code	BN
(2) Frequency	16.3 (MHz, 3digits)
(3) Logo	D
(4) Date code	Year (1digit) +Week (2digits) e.g.2016/1/1 → 601

unit: mm

Dimensional Tolerance: ±0.15

(Unless otherwise noted)

## 9. Measurement Circuit



TITLE  
DSB221SDN TYPE SPECIFICATION

Remark  
T16-0203

Date  
2016/03/28

Spec. No.  
1XXB16368MZA

Rev.  
-

Page  
2/2