

USB TYPE-C FULL-FEATURED RECEPTACLE INTERFACE PIN ASSIGNMENTS

PIN	Signal Name	Description	PIN	Signal Name	Description
A5	CC1	Configuration Channel	B12	GND	Ground return
A9	VBUS	Bus Power	B9	VBUS	Bus Power
A12	GND	Ground return	B5	CC2	Configuration Channel

MATERIAL:

- 1.HOUSING: HIGH TEMPERATURE PLASTIC , BK
- 2.CONTACT: COPPER ALLOY
- 3.SHELL: STAINLESS STEEL
- 4.MID PLATE: STAINLESS STEEL

FINISH:

- CONTACT: SEE ORDER INFORMATION
SHELL: NICKEL PLATING

Ordering Code:

CU32 06 S A C C L R 00X - LF
 ① ② ③ ④ ⑤ ⑥ ⑦ ⑧ ⑨ ⑩

① Series No.CU32

② No of Circuits:06Pin

③ S= Socket

④ Plating Option:

A= Gold Flash plated on Contact area,
Matte Tin plated on Soldertails,
Nickel underplating over all

⑤ Shell Material & Plating:
C=Stainless steel

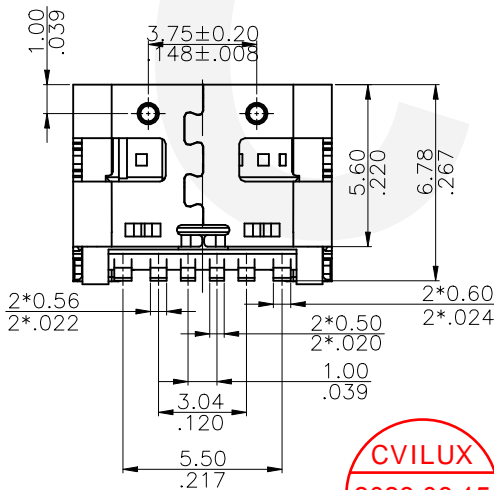
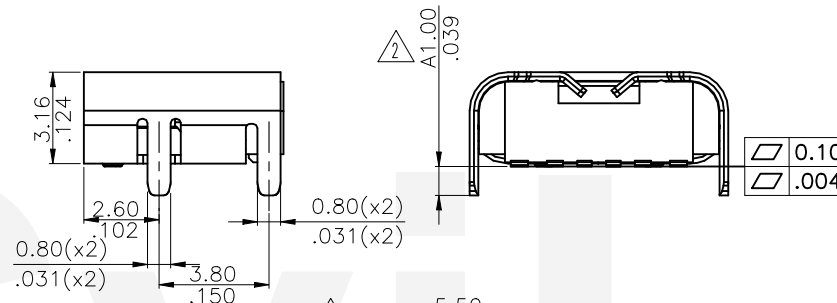
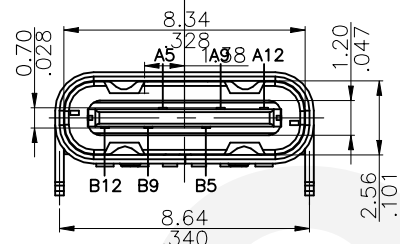
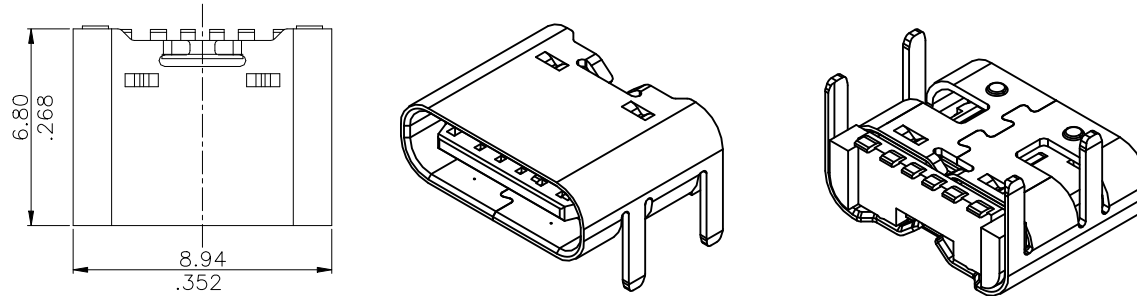
⑥ Contact Material: C=Copper alloy

⑦ Insulator Material & Color Option:
L=High temperature plastic , BK

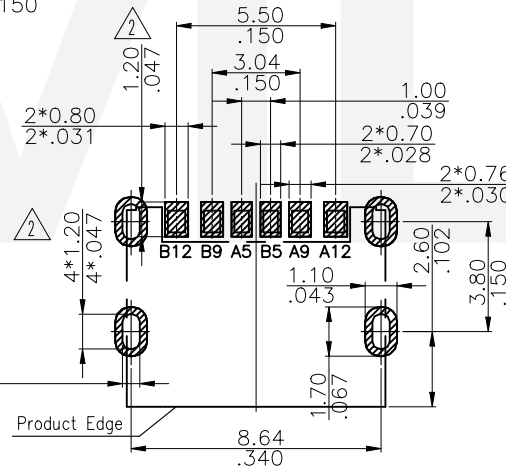
⑧ Packing R= Tape & Reel

⑨ Other Option: 001=A:1.00 002=A:2.00

⑩ -LF= For Lead Free IR Reflow Process



CIVILUX
2023.06.15
ISSUED



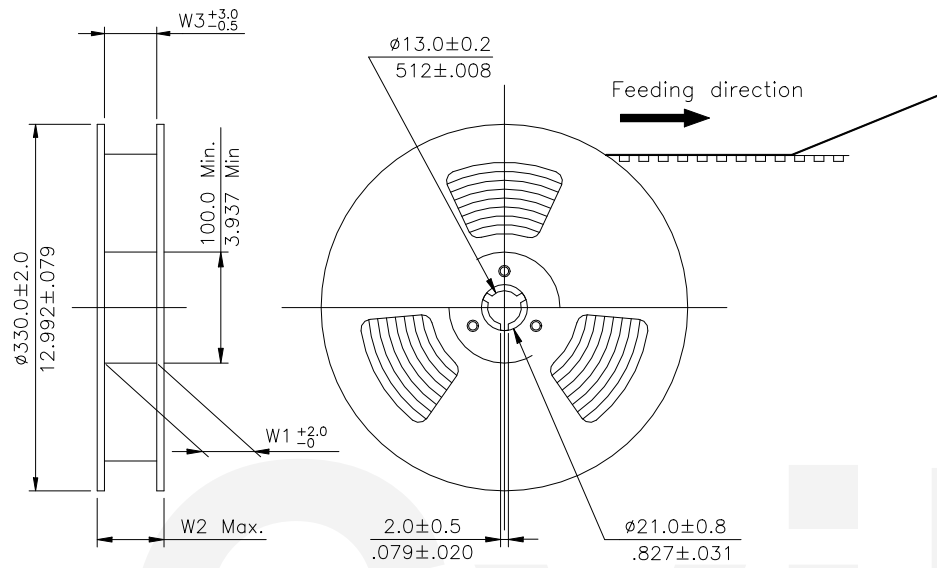
RECOMMENDED P.C.B. LAYOUT
TOLERANCE UNSPECIFIED ±0.05mm

REV	DATE	DESCRIPTION	BY	DATE	UNIT: mm / inch
4					
3	Ash 2023.5.11	ECND123014 REVISIONS	DRAWN BY: Ash	06/14'-23	TOLERANCE UNLESS OTHERWISE SPECIFIED
2	Annie 2022.9.23	ECRD122040 REVISIONS	ENGINEER: Ash	06/14'-23	X. ± 0.25/.010 X.' ± 5'
1	Annie 2021.7.20	ECND121024 REVISIONS	CHECKED BY: Keny	06/14'-23	.X ± 0.20/.008 .X' ± 2'
SYM	NAME	DATE	REVISIONS	APPROVED BY: Keny	06/14'-23

Lead Free Process RoHS Compliant

瀚荃股份有限公司
CviLux Corporation

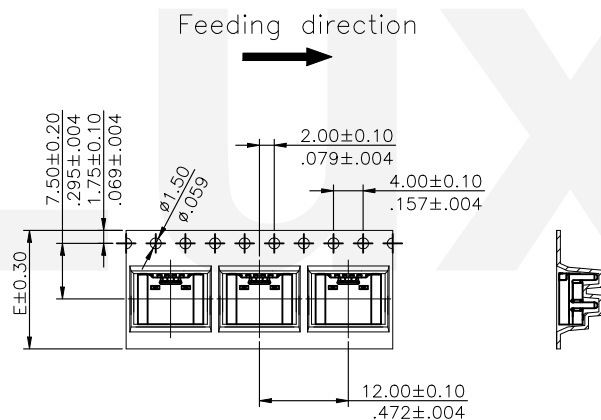
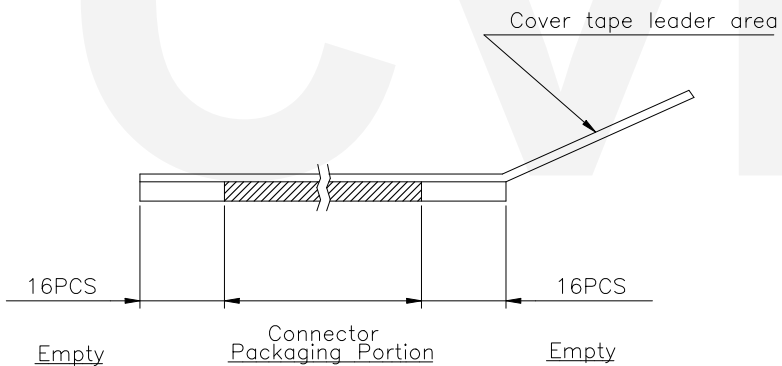
DRAWING NO.	CU32S11SE	PART NO.	CU3206SACCLR00X-LF
SCALE	1 / 1	SHEET	1 OF 2



NOTE :

- * Reel Material : HIPS
- * Carrier Material : Clear, Conductive Polystyrene Alloy
- * Cover Tape Material : Polyester
- * Cover Tape Peel Strength : 0.1N – 1.3N
- * Carrier camber is within 1mm in 250mm
- * All dimensions meet EIA-481-B requirements.
- * Quantity : 1000 PCS/Reel

Dimension				Packing (Reel/Carton)
E	W1	W2	W3	
16.0(.630)	16.5(.650)	20.5(.807)	16.5(.650)	15



CVILUX
 2023.06.15
ISSUED

Lead Free Process

RoHS Compliant

4					DATE	UNIT: mm / inch	TITLE:
3	Ash	2023.5.11	ECND123014 REVISIONS	DRAWN BY:	Ash	06/14'-23	CU32 TYPE C FEMALE CH1.68 H=3.16mm SMT TYPE
2	Annie	2022.9.23	ECRD122040 REVISIONS	ENGINEER:	Ash	06/14'-23	MATERIAL:
1	Annie	2021.7.20	ECND121024 REVISIONS	CHECKED BY:	Keny	06/14'-23	
SYM	NAME	DATE	REVISIONS	APPROVED BY:	Keny	06/14'-23	FINISH:
						TOLERANCE UNLESS OTHERWISE SPECIFIED	
						X. ± 0.25/.010	X.* ± 5'
						.X ± 0.20/.008	.X' ± 2'
						.XX ± 0.15/.006	.XX* ± 1'



DRAWING NO.	CU32S11SE	PART NO.	CU3206SACCLR00X-LF
SCALE		SHEET	2 OF 2