

PRODUCT PARTNUMBER
10165968-1XXXXXLF

PARTNO &
DATECODE



CODICO GmbH
Zwingenstraße 6-8, 2380 Perchtoldsdorf, Austria
Telefon: +43 1 86 305-0, Fax: +43 1 86 305-5000
e-mail: office@codico.com, www.codico.com
FN 436940i, Landesgericht Wr. Neustadt

Zertifiziert nach ISO 9001:2015

A

B

C

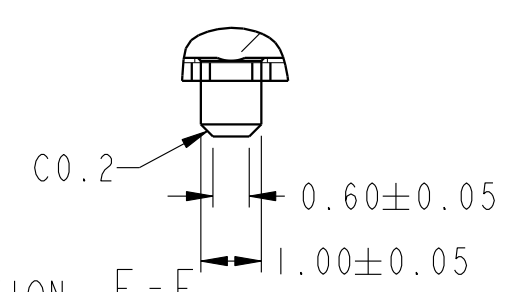
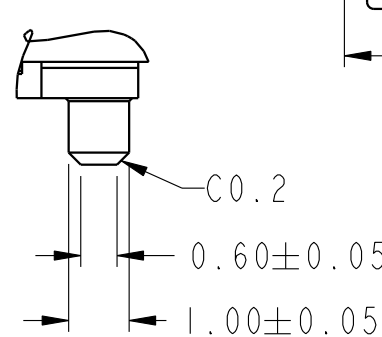
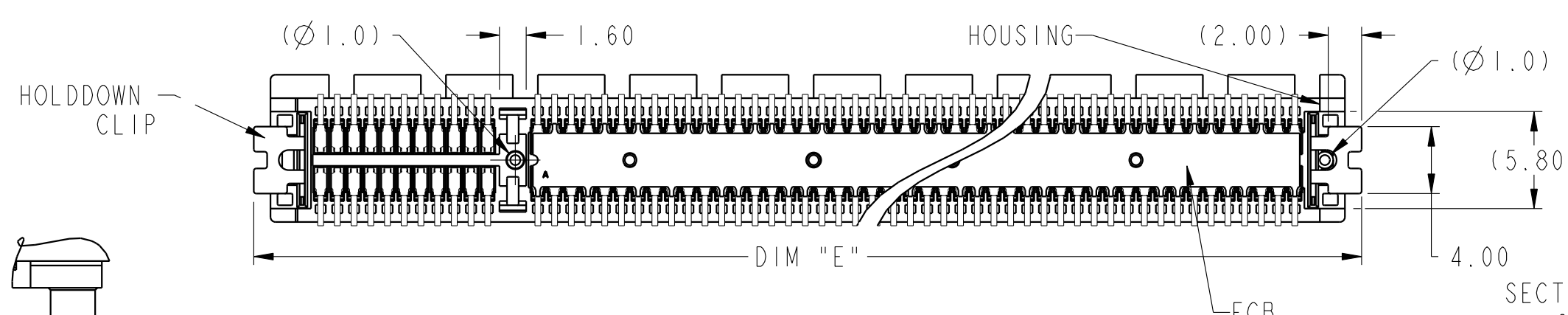
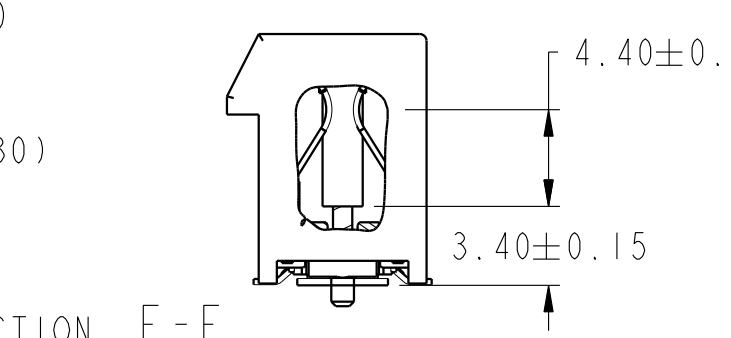
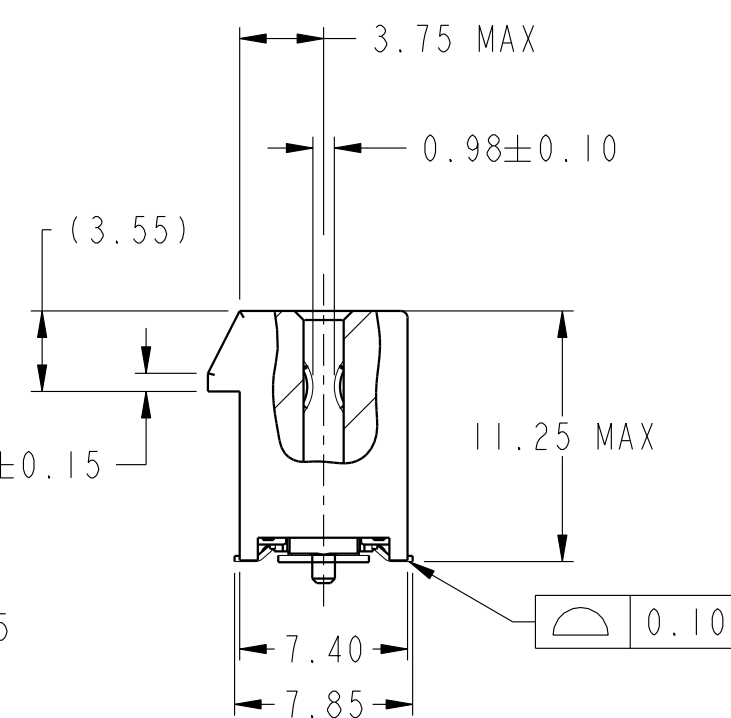
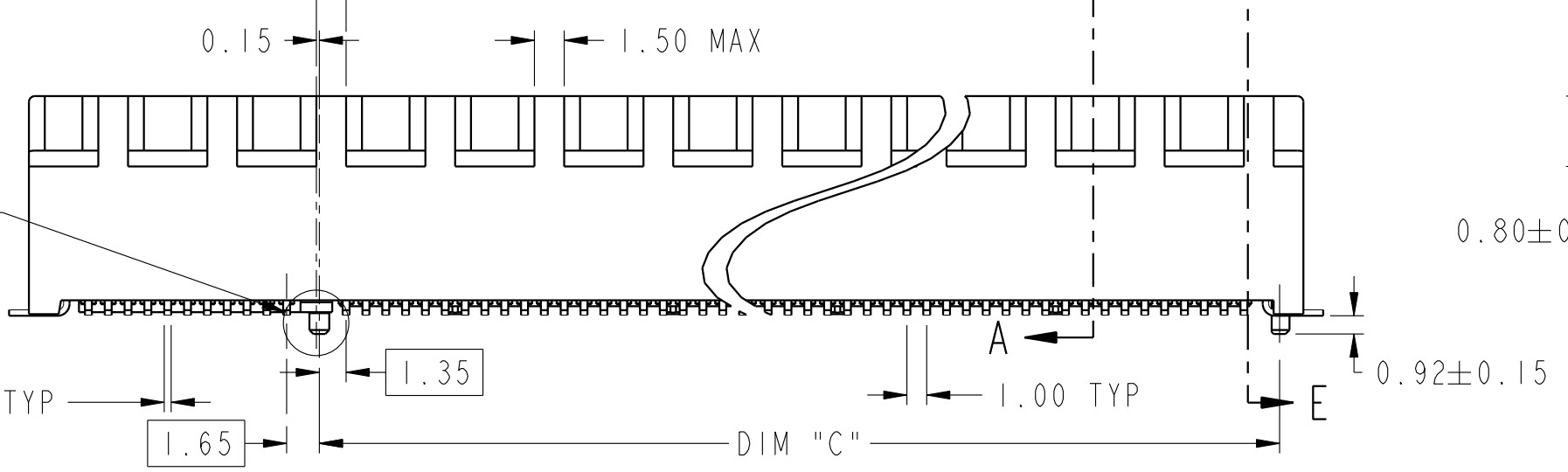
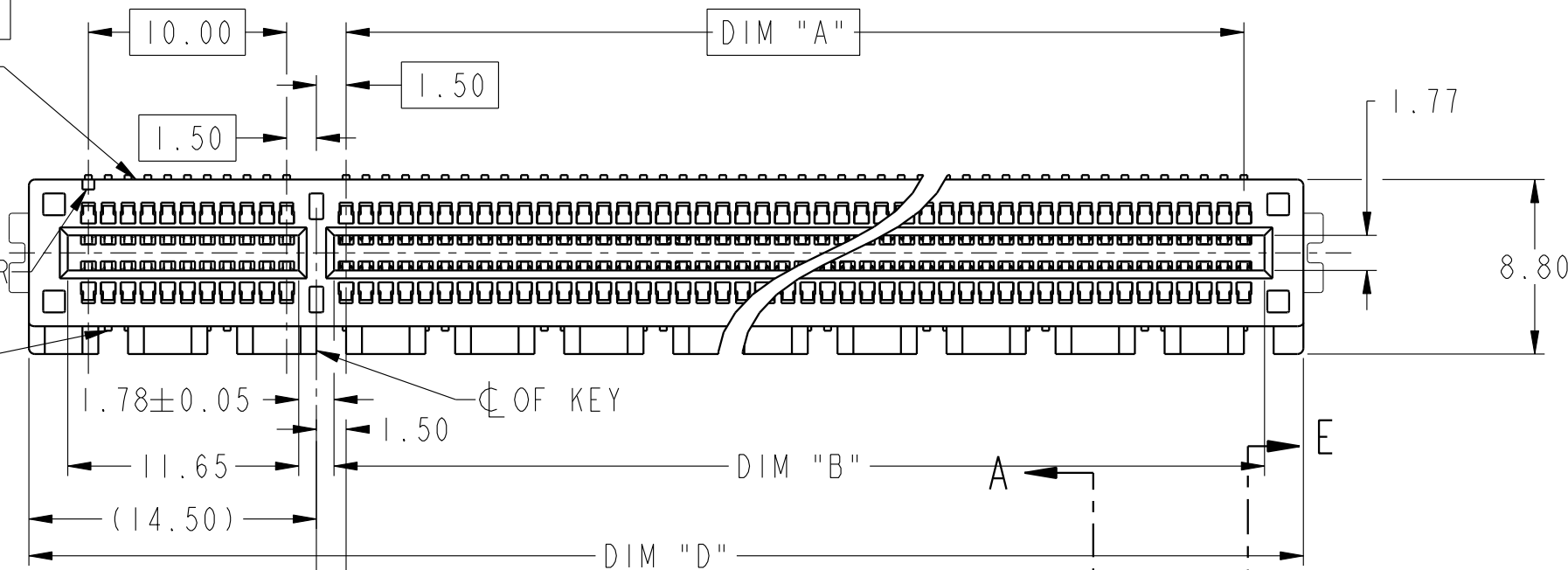
D

A

B

C

D



spec ref	-	dr	Cheong, Matthe	2022/03/11	projection	MM	size	A3	scale	3:1
tolerance std	ISO 406 ISO 1101	eng	Cheong, Matthe	2024/05/13			ecn no			
TOLERANCES UNLESS OTHERWISE SPECIFIED		chr	-	-			rel level	Released		
surface	linear	appr	Koon-Poh Tay	2024/05/13	product family	PCI express	rel level	Released		
	0.X				PCI Express Gen 6		rel level	Released		
	0.XX				SMT Type		rel level	Released		
	0.XXX						rel level	Released		
	angular	0°	±2°				rel level	Released		



www.fci.com

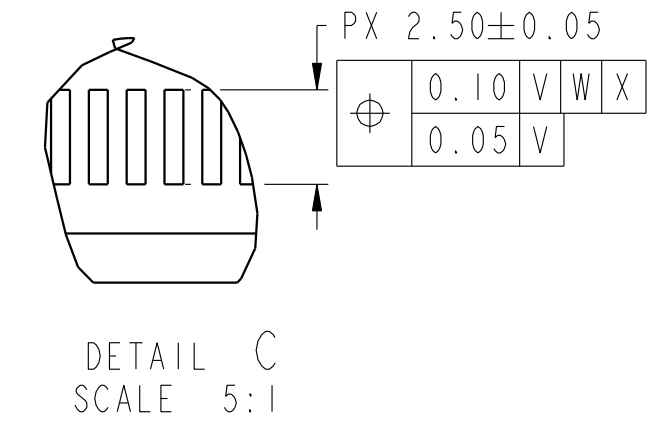
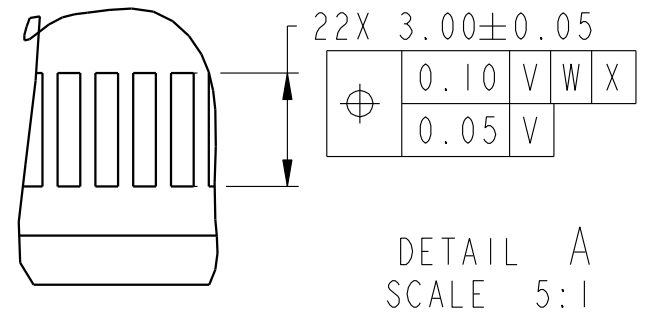
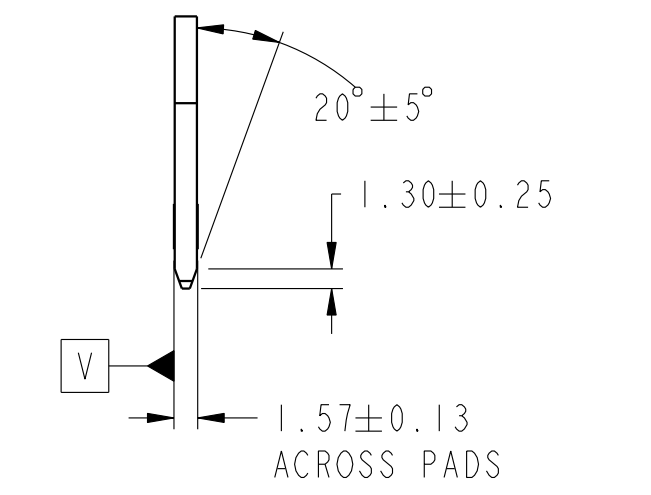
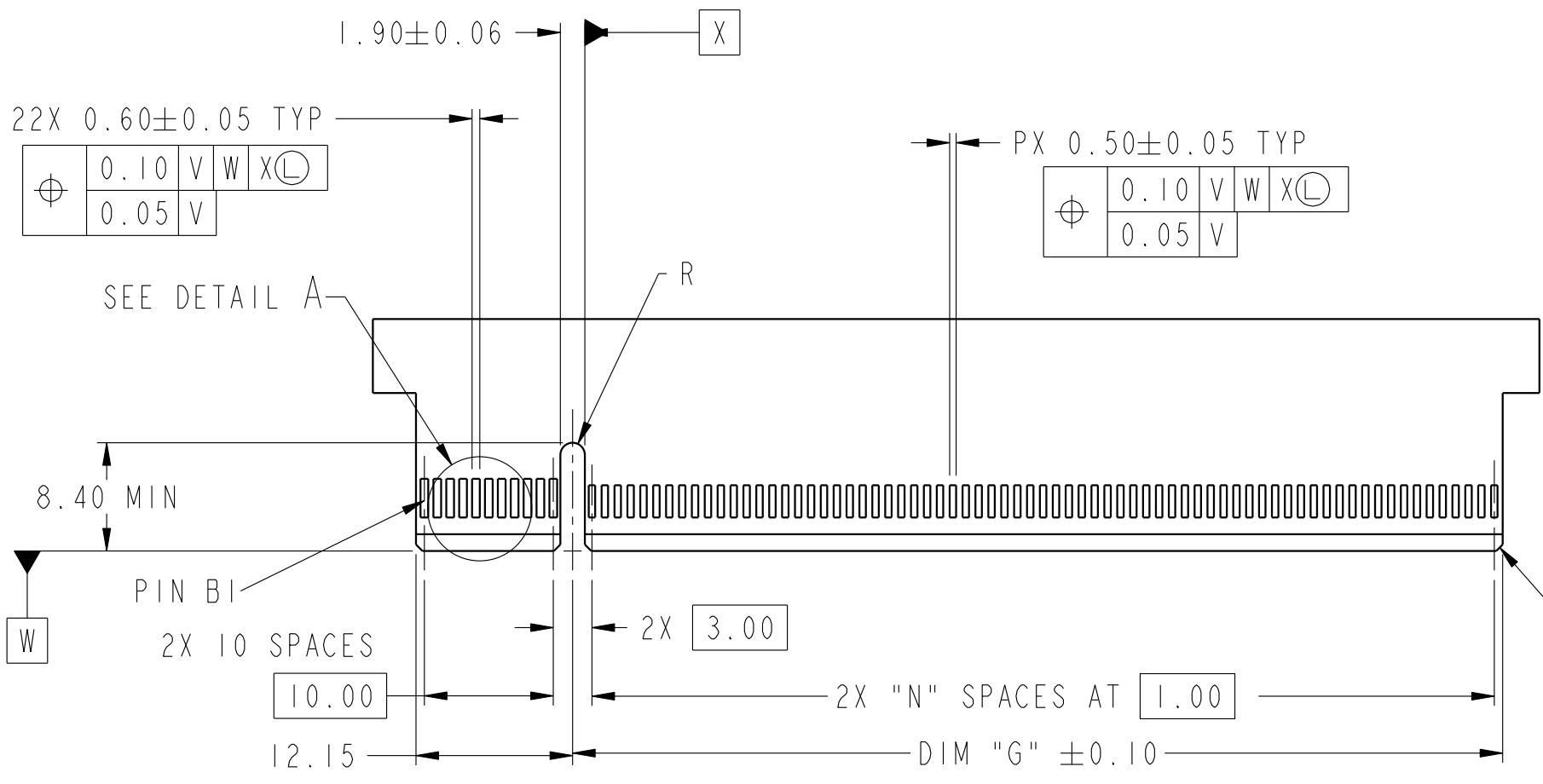
cat. no.	-	Product - Customer Drw	sheet 1 of 4
dwg no	10165968	rev	A

Creo File:ELX-WC-A3C.REV F.2020-12-21

Amphenol FCI

© 2020 Amphenol Corporation

CONNECTOR LINK WIDTH	POSITION	N	P	DIM "G"	DIM "F"
X1	36	6	14	8.15	6.00
X4	64	20	42	22.15	20.00
X8	98	37	76	39.15	37.00
X16	164	70	142	72.15	70.00



← I/O PANEL DIRECTION
PRIMARY (COMPONENT) SIDE

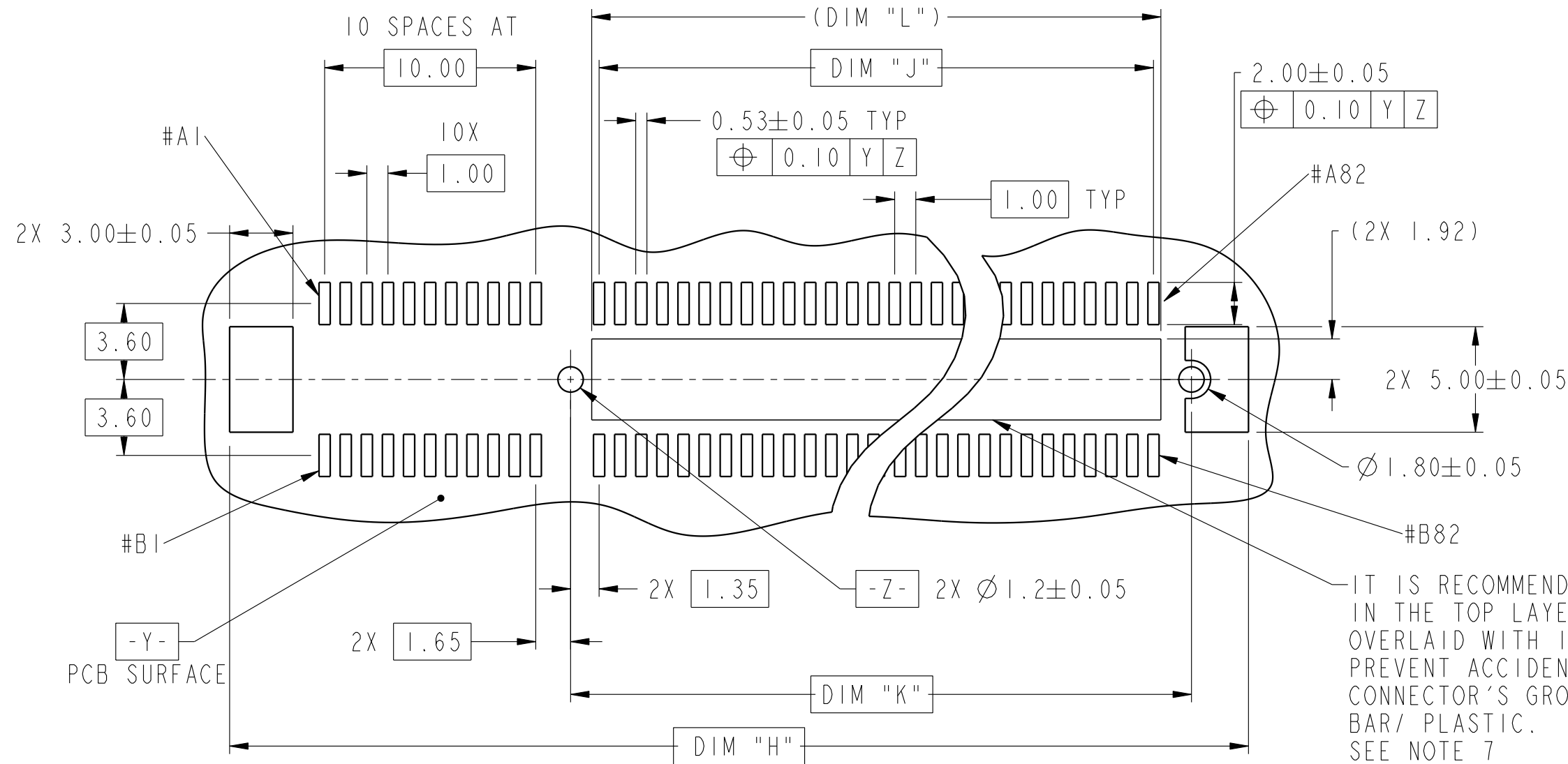
I/O PANEL DIRECTION →
SECONDARY (SOLDER) SIDE

- NO TIE BAR PERMITTED FROM CARD EDGE TO LEADING EDGE OF PAD FOR PIN AI AND PIN "L".
- CHAMFER EDGES MUST BE FREE FROM CUTTING BURRS.
- TOLERANCES FOR AIC, UNLESS OTHERWISE SPECIFIED IS : ±0.13.
- CONTACT A FCI ENGINEERING FOR SI REPORT.

spec ref	-	dr	Cheong, Matthe	2022/03/11	projection	MM	size	A3	scale	2:1
tolerance std	ISO 406 ISO 1101	eng	Cheong, Matthe	2024/05/13			ecn no		rel level	
TOLERANCES UNLESS OTHERWISE SPECIFIED		chr	-	-			Released			
surface	linear	appr	Koon-Poh Tay	2024/05/13	product family	PCI express	dwg no		10165968	rev
ISO 1302	angular			Amphenol FCI PCI Express Gen 6 SMT Type www.fci.com	cat. no.	Product - Customer Drw	sheet 2 of 4			

Amphenol FCI

© 2020 Amphenol Corporation



RECOMMENDED PCB LAYOUT, PAD TYPE

POSITION	DIMENSIONS								
	A	B ^{+0.15} / _{-0.05}	C ±0.10	D ±0.23	E ±0.20	H ±0.05	J	K ±0.10	L
36	6.00	7.65	9.15	25.00	27.00	28.00	6.00	9.15	6.70
64	20.00	21.65	23.15	39.00	41.00	42.00	20.00	23.15	20.70
98	37.00	38.65	40.15	56.00	58.00	59.00	37.00	40.15	37.70
164	70.00	71.65	73.15	89.00	91.00	92.00	70.00	73.15	70.70

1. TOLERANCES FOR PCB, UNLESS OTHERWISE SPECIFIED IS : ±0.13.

spec ref	-	dr	Cheong, Matthe	2022/03/11	projection	MM	size	A3	scale	4:1
tolerance std	ISO 406 ISO 1101	eng	Cheong, Matthe	2024/05/13			ecn no		rel level	
surface	-	chr	-	-			PCI express		Released	
		appr	Koon-Poh Tay	2024/05/13	product family		PCI express		rel level	
		linear	0.X	±0.30	Amphenol FCI		PCI Express Gen 6		dwg no	
			0.XX	±0.20	www.fci.com		SMT Type		10165968	
		angular	0°	±2°	cat. no.		-		Product - Customer Drw	
					PDS: Rev :A		STATUS:Released		Printed: May 13, 2024	

PRODUCT NUMBER CODE

10165968-□□□□□00LF

HOUSING COLOR

1: BLACK

CONTACT AREA PLATING

1: 30u" Au
2: 15u" Au

NO. OF POSITION

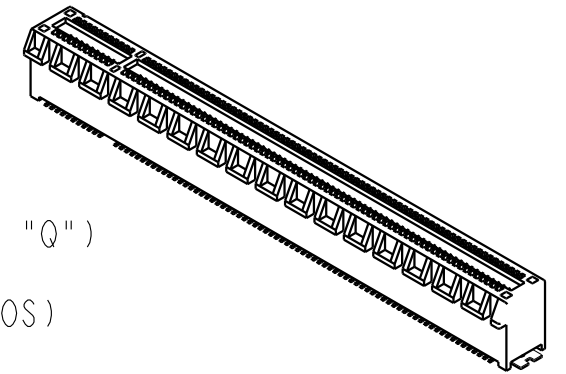
0: 36 POSITIONS
1: 64 POSITIONS
2: 98 POSITIONS
3: 164 POSITIONS

PICK-UP OPTIONS

0: NIL
1: PICK UP CAP (NOT AVAIL. FOR PACKAGING OPTION "Q")
3: KAPTON TAPE, 22 x 8.5MM WIDTH (ALL POS)
4: KAPTON TAPE, 30 x 8.5MM WIDTH (64, 98 & 164 POS)
5: KAPTON TAPE, 45 x 8.5MM WIDTH (98 & 164 POS)
6: KAPTON TAPE, 53 x 8.5MM WIDTH (98 & 164 POS)
7: KAPTON TAPE, 86.5 x 8.5MM WIDTH (164 POS)

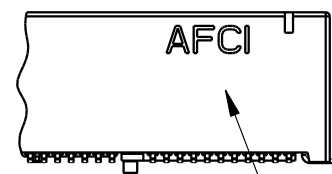
PACKAGING OPTIONS

Q: HARD TRAY (DIM: 323 x 136 x 19) (98 & 164 POS)
T: SOFT TRAY (317.5 x 235 x 18) (36 & 64 POS)
Y: HARD TRAY (DIM: 330 x 235 x 19.3) (98 & 164 POS)



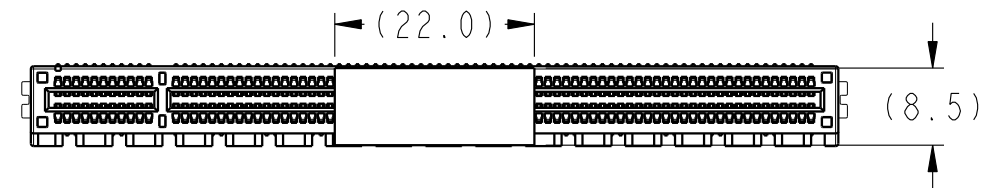
NOTES:

- MATERIAL:**
HOUSING: HIGH PERFORMANCE RESIN, GLASS FILLED, UL 94V-0
CONTACT: COPPER ALLOY.
HOLDDOWN CLIP: COPPER ALLOY
- PLATING:**
CONTACT: UNDERPLATE: 50u" NICKEL OVER ALL.
SOLDER AREA: 100u" TIN (LEAD FREE).
MATING AREA: SEE PRODUCT NUMBER CODE.
HOLDDOWN CLIP: 100u" TIN OVER 50 u" NICKEL.
- PRODUCT SPECIFICATION:** GS-12-1406
- PRODUCT MEETS EUROPEAN UNION DIRECTIVES AND OTHER COUNTRY REGULATIONS AS DESCRIBED IN GS-47-004.**
- DATE CODE "MMDDYYL", MMDDYY IS ASSEMBLY DATE. L IS AFCI PRODUCTION SITE.**
- THE HOUSING WILL WITHSTAND EXPOSURE TO 260° PEAK TEMPERATURE FOR 10 SECONDS IN A CONVECTION, INFRA-RED OR VAPOR PHASE REFLOW OVEN.**
- THERE IS GROUND BUSSING WITHIN THE CONNECTOR SYSTEM. FOR DIFFERENTIAL PAIR'S GROUND LOCATION, PLEASE REFER TO THE CONNECTOR PINOUT TABLE FROM CHAPTER 6 OF PCI EXPRESS CARD ELECTROMECHANICAL SPECIFICATION.**

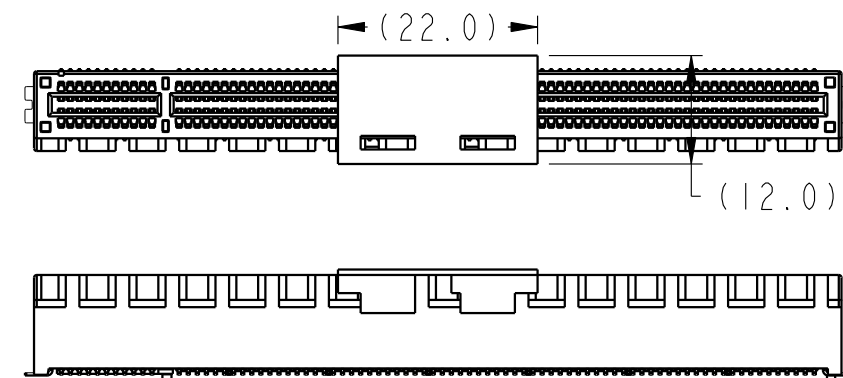


DATA CODE & PARTNO

POSITION OF KAPTON TAPE



POSITION OF PICK UP CAP



spec ref	-	dr	Cheong, Matthe	2022/03/11	projection	MM	size	A3	scale	3:1
tolerance std	ISO 406 ISO 1101	eng	Cheong, Matthe	2024/05/13			ecn no		rel level	
TOLERANCES UNLESS OTHERWISE SPECIFIED		chr	-	-			PCI express		Released	
surface	linear	appr	Koon-Poh Tay	2024/05/13	product family	PCI express	rel level	Released		
	0.X	±0.30		PCI Express Gen 6 SMT Type	cat. no. -	Product - Customer Drw	sheet 4 of 4	dwg no 10165968		rev
	0.XX	±0.20						A		
	0.XXX	±0.1								
	angular	0°	±2°							

Amphenol FCI

© 2020 Amphenol Corporation