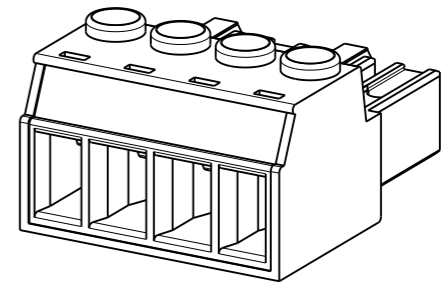
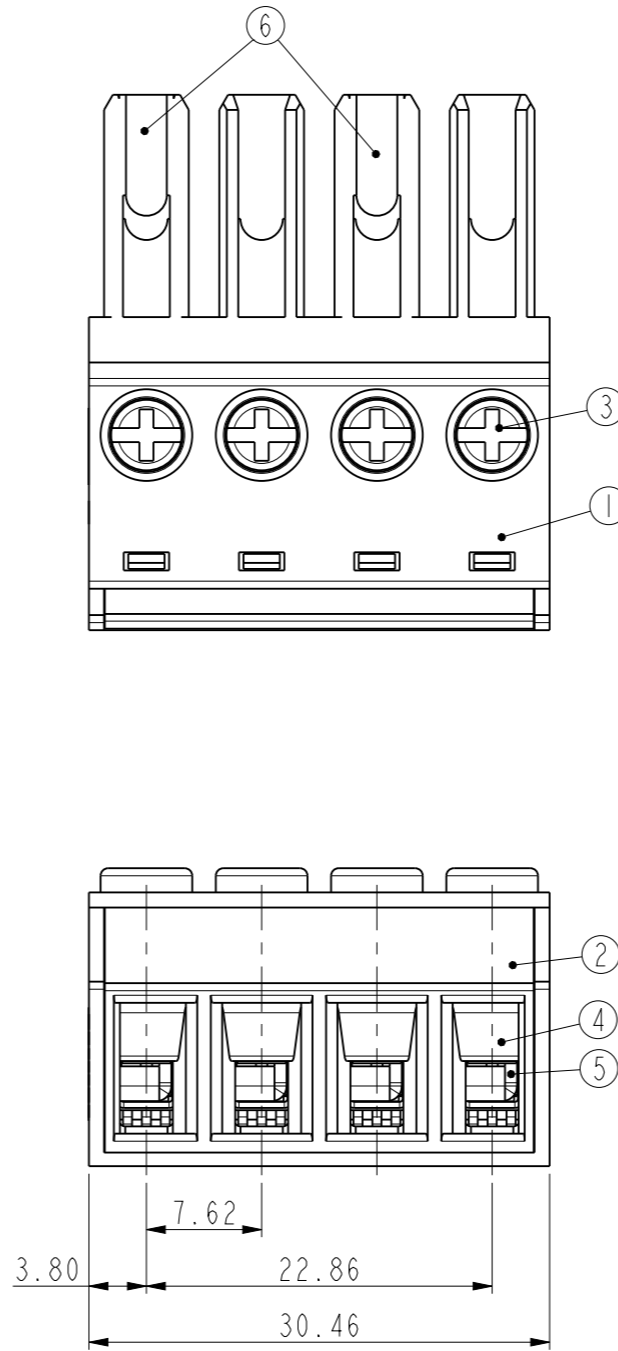
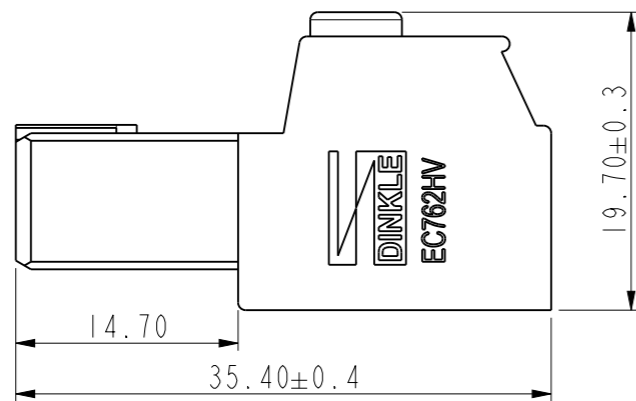


DINKLE has proprietary right to these drawings and specifications hereon, it shall not be reproduced or used as the basis for the manufacture of devices without permission. User should verify drawings are the most recent version.  
Copyright © DINKLE Enterprise Co., Ltd. All Rights reserved.



|      |              |  |                   |
|------|--------------|--|-------------------|
| 6    | KEY CODE     | PA66   | UL94-V0<br>ORANGE |
| 5    | CLAMP        | HIGH PERFORMANCE COPPER<br>ALLOY+STAINLESS STEEL | Tin Plated        |
| 4    | WIRE CAGE    | STEEL  | M3<br>Zn PLATED   |
| 3    | SCREW2       | STEEL  | M3<br>Zn Plated   |
| 2    | COVER        | PA66   | UL94-V0<br>GREEN  |
| 1    | HOUSING      | PA66   | UL94-V0<br>GREEN  |
| ITEM | NAME OF PART | MATERIAL   | NOTES             |

|      |          |      |            |                    |                      |
|------|----------|------|------------|--------------------|----------------------|
| DRW. | MS.Huang | DATE | 2023-10-16 | GENERAL TOLERANCE  |                      |
| CHK. | Mike.Li  | DATE | 2023-10-16 | SPECIFICATION FILE | SF-EC762HVN-0877-04P |
| APP. | Webb.Liu | DATE | 2023-10-16 | DRAWING TYPE       | SP-03                |

|                                |                          |     |                           |     |  |
|--------------------------------|--------------------------|-----|---------------------------|-----|--|
| PART NO.                       | <b>EC762HVN-0877-04P</b> |     |                           |     |  |
| DINKLE<br>ENTERPRISE CO., LTD. | UNITS                    | mm  | THIRD ANGLE<br>PROJECTION |     |  |
|                                | SCALE                    | 2:1 | SHEET/OF                  | 1/1 |  |

| Total Pitch Tolerances |       | Normal dimension Tolerances |       |
|------------------------|-------|-----------------------------|-------|
| 0~30                   | ±0.20 | 0~30                        | ±0.25 |
| over 30~53             | ±0.25 | over 30~53                  | ±0.30 |
| over 53~70             | ±0.30 | over 53~70                  | ±0.35 |
| over 70~90             | ±0.35 | over 70~90                  | ±0.44 |
| over 90~115            | ±0.44 | over 90~115                 | ±0.55 |
| over 115~150           | ±0.55 | over 115~150                | ±0.70 |
| over 150~200           | ±0.70 | over 150~200                | ±0.85 |
| over 200~250           | ±0.85 | over 200~250                | ±1.00 |
| over 250~320           | ±1.00 | over 250~320                | ±1.20 |

|      |   |         |      |      |  |
|------|---|---------|------|------|--|
| VI   | 2 |         |      |      |  |
| REV. |   | CONTENT | DRW. | DATE |  |

F

F

# EC762HVN

 规格书编号/Specification File No.: **SF-EC762HVN-0877-04P**

版本/Version: A1

## 一般資訊 / General Information

|                        |  |
|------------------------|--|
| 产品长叙述/Long description | PCB Connector, Screw Connection,<br>Pitch:7.62mm, M3, 600V,41A |
| 产品类型/Product type      | PCB Connector – Plug   |
| 间距/ Pitch (mm)         | 7.62   |
| 产品颜色/ Color            | Refer to drawing   |
| 接线方式/Connection method | Screw Connection   |
| 固定方式/ Type of locking  | Without  |
| 产品长度/ Length (mm)      | 30.46  |
| 产品宽度/ Width (mm)       | 35.4   |
| 产品高度/ Height (mm)      | 19.7   |
| 电位数/Circuit diagram    | 4  |
| 产品点数/Number of poles   | 04P  |
| 产品层数/Level             | 1  |
| 连接点数/Connection points | 4  |

## 材料信息/ Material Information

|   |                               |
|---|-------------------------------|
| 绝缘材料/ Insulating material               | PA66                          |
| 绝缘材料组别 / Insulating material group      | I                             |
| 阻燃等级,符合 UL94 / UL94 Flammability rating | V0                            |
| 绝缘阻抗/ Insulation resistance             | ≥500MΩ at DC 500V             |
| 导体材料/ Conductor material                | HIGH PERFORMANCE COPPER ALLOY |
| 导体表面镀层/Plating of conductor surface     | Tin PLATED                    |

## IEC数据 / IEC Data

|   |      |
|---|------|
| 额定电压 / Rated Voltage (V)                          | 1000 |
| 额定电流 / Rated Current (A)                          | 41   |
| 额定电压 (II/2) / Rated Voltage (II/2) (V)            | 1000 |
| 额定电压 (III/2) / Rated Voltage (III/2) (V)          | 1000 |
| 额定电压 (III/3) / Rated Voltage (III/3) (V)          | 1000 |
| 额定冲击电压(II/2) / Rated Impulse Voltage (II/2)(kV)   | 8    |
| 额定冲击电压(III/2) / Rated Impulse Voltage (III/2)(kV) | 8    |

# EC762HVN

 规格书编号/Specification File No.: **SF-EC762HVN-0877-04P**

版本/Version: A1

|   |      |
|---|------|
| 额定冲击电压(III/3) / Rated Impulse Voltage (III/3)(kV)   | 8    |
| 最小硬质导线横截面积 / Conductor cross section solid. min ( mm <sup>2</sup> )   | 0.2  |
| 最大硬质导线横截面积 / Conductor cross section solid. max ( mm <sup>2</sup> )   | 6    |
| 最小柔性导线横截面积/ Conductor cross section stranded. min ( mm <sup>2</sup> )   | 0.2  |
| 最大柔性导线横截面积/ Conductor cross section stranded. max ( mm <sup>2</sup> )   | 6    |
| 柔性导线横截面积·最小的管状裸端子 / Conductor cross section flexible, with min ferrule without insulation (mm <sup>2</sup> )                                | 0.25 |
| 柔性导线横截面积·最大的管状裸端子 / Conductor cross section flexible, with max ferrule without insulation (mm <sup>2</sup> )                                | 6    |
| 柔性导线横截面积·最小的管状预绝缘端子 / Conductor cross section flexible, with min ferrule with insulation (mm <sup>2</sup> )                                 | 0.25 |
| 柔性导线横截面积·最大的管状预绝缘端子 / Conductor cross section flexible, with max ferrule with insulation (mm <sup>2</sup> )                                 | 4    |
| 具有相同截面积的二根最小硬质导线横截面积/ 2 conductors with same cross section, solid, min (mm <sup>2</sup> )   | 0.2  |
| 具有相同截面积的二根最大硬质导线横截面积/ 2 conductors with same cross section, solid, max (mm <sup>2</sup> )   | 2.5  |
| 具有相同截面积的二根最小柔性导线横截面积/ 2 conductors with same cross section, stranded, min (mm <sup>2</sup> )  | 0.2  |
| 具有相同截面积的二根最大柔性导线横截面积/ 2 conductors with same cross section, stranded, max (mm <sup>2</sup> )  | 4    |
| 具有相同截面积的二根柔性导线·最小管状裸端子 / 2 conductors with same cross section flexible, with min ferrule without insulation (mm <sup>2</sup> )              | 0.25 |
| 具有相同截面积的二根柔性导线·最大的管状裸端子 / 2 conductors with same cross section flexible, with max ferrule without insulation (mm <sup>2</sup> )             | 1.5  |
| 具有相同截面积的二根柔性导线·最小双线管状预绝缘端子 / 2 conductors with same cross section flexible, min ferrule with insulation for double wire (mm <sup>2</sup> )  | 0.5  |
| 具有相同截面积的二根柔性导线·最大的双线管状预绝缘端子 / 2 conductors with same cross section flexible, max ferrule with insulation for double wire (mm <sup>2</sup> ) | 2.5  |

## UL数据 / UL Data

|   |     |
|---|-----|
| 额定电压 (UL/CUL 标准 B 组)/Rated Voltage (UL/CUL Group B)(V)            | 600 |
| 额定电流 (UL/CUL 标准 B 组)/Rated Current (UL/CUL Group B) (A)           | 41  |
| 额定电压 (UL/CUL 标准 C 组)/ Rated Voltage (UL/CUL Group C)(V)           | 600 |
| 额定电流 (UL/CUL 标准 C 组)/Rated Current (UL/CUL Group C) (A)           | 41  |
| 额定电压 (UL/CUL 标准 D 组)/ Rated Voltage (UL/CUL Group D)(V)           | 600 |
| 额定电流 (UL/CUL 标准 D 组)/Rated Current (UL/CUL Group D) (A)           | 5   |
| 最小导线, 符合 UL/CUL / Min. wire connection acc. to UL/CUL(AWG)        | 30  |
| 最大导线, 符合 UL/CUL /Max. wire connection acc. to UL/CUL(AWG)         | 8   |
| 最小硬质导线, 符合 UL/CUL/ Min. solid wire connection acc. to UL/CUL(AWG) | 30  |
| 最大硬质导线, 符合 UL/CUL/ Max. solid wire connection acc. to UL/CUL(AWG) | 8   |

## 通用参数 / General Data

# EC762HVN

 规格书编号/Specification File No.: **SF-EC762HVN-0877-04P**

版本/Version: A1

|                                  |           |
|----------------------------------|-----------|
| 螺纹规格/Screw thread                | M3        |
| 螺丝刀规格/Screwdriver size           | 0.8x4,PH1 |
| 最小扭矩/Tightening torque Min (N.m) | 0.5       |
| 最大扭矩/Tightening torque Max (N.m) | 0.6       |
| 剥线长度/Stripping Length (mm)       | 7~8       |

## 环境与安全/ *Environmental and safety*

|  |     |
|--|-----|
| 手指接触防护 IP20( IEC 60529)/Finger protection IP20(IEC60529) | YES |
| 最高工作温度/Operating temperature max(°C)                     | 120 |
| 最低工作温度/Operating temperature min(°C)                     | -40 |

## 配件/ *Accessories*

|          |       |
|----------|-------|
| 配件信息:    |       |
| KEY CODE | ECHK2 |

## 产品认证/许可/ *Approvals*



## UL Recognized

|                                      |      |
|--------------------------------------|------|
| 线径范围 B 组/Wire Range (Group B) (AWG)  | 30~8 |
| 额定电压 B 组/Rated Voltage (Group B) (V) | 600  |
| 额定电流 B 组/Rated Current (Group B) (A) | 41   |
| 线径范围 C 组/Wire Range (Group C) (AWG)  | 30~8 |
| 额定电压 C 组/Rated Voltage(Group C) (V)  | 600  |
| 额定电流 C 组/Rated Current(Group C) (A)  | 41   |
| 线径范围 D 组/Wire Range(Group D) (AWG)   | 30~8 |
| 额定电压 D 组/Rated Voltage(Group D) (V)  | 600  |
| 额定电流 D 组/Rated Current(Group D) (A)  | 5    |

# EC762HVN

 规格书编号/Specification File No.: **SF-EC762HVN-0877-04P**

版本/Version: A1

## CUL Recognized

|                                      |      |
|--------------------------------------|------|
| 线径范围 B 组/Wire Range (Group B) (AWG)  | 30~8 |
| 额定电压 B 组/Rated Voltage (Group B) (V) | 600  |
| 额定电流 B 组/Rated Current (Group B) (A) | 41   |
| 线径范围 C 组/Wire Range (Group C) (AWG)  | 30~8 |
| 额定电压 C 组/Rated Voltage(Group C) (V)  | 600  |
| 额定电流 C 组/Rated Current(Group C) (A)  | 41   |
| 线径范围 D 组/Wire Range(Group D) (AWG)   | 30~8 |
| 额定电压 D 组/Rated Voltage(Group D) (V)  | 600  |
| 额定电流 D 组/Rated Current(Group D) (A)  | 5    |

## VDE Approval

|                                   |       |
|-----------------------------------|-------|
| 线径范围/Wire Range(mm <sup>2</sup> ) | 0.2~6 |
| 额定电压/Rated Voltage(V)             | 1000  |
| 额定电流/Rated Current (A)            | 41    |