



Strikefan Electronic Co.,Ltd

APPROVAL SHEET

Customer : _____
Model No : TRL17238B12L
Part No : C.M(1)
Description : DC Fan (RoHS)
Date : 2023 / 10 / 17
Revision : _____

CUSTOMER APPROVED	CHECKED BY	PREPARED BY
	陳祐仁	洪莉嫻

THIS OFFER IS MADE ACCORDING TO YOUR CURRENT INQUIRY. UNLESS OTHERWISE REVISED, THIS SPECIFICATION WILL BE FINAL FOR ALL FUTURE PRODUCTION ORDERS FROM YOUR RESPECTED COMPANY KINDLY STUDY IN DETAILS AND RETURN TO US THE DUPLICATE DULY SIGNED AS YOUR CONFIRMATION OF SAME





Strikefan Electronic Co.,Ltd.

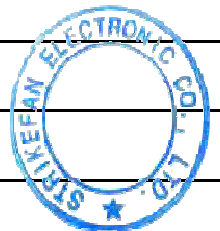
SPECIFICATION

DC AXIAL FAN

ITEM	DESCRIPTIONS
P/N	TRL17238B12L-C.M(1)
Dimension 尺寸	172 x 151 x 38 mm
Bearing Type 軸承	Two Ball Bearing
Rated Voltage 額定電壓	12 VDC
Operating Voltage 工作電壓範圍	7~14 VDC
Startup Voltage 啟動電壓	7 V
Rated Current 額定電流	2.34 A
Consuming Power 消耗功率	28.08 W
Rated Speed 額定轉速	3600 RPM±10%
Air Flow 風量	275 CFM
	7.78 m ³ /min
Static Pressure 靜壓	23.12 mm-H ₂ O
	0.91 inch-H ₂ O
Noise Level 噪音	60.00 dBA
Safety Certification 安規	UL CE

SPECIAL FUNCTION TYPE 特殊功能類型

Auto Restart By IC 自動重啓 (IC版)	YES
Soft Start 軟啟動	NO
Speed Control (FG) 速度檢測	NO
Alarm Control (RD) 警示功能	NO
Pulse Width Modulation 脈寬調控	NO
Temperature Control 溫度控制	NO
Waterproof Level 防水等級	IP54





1.MATERIAL:

1-1.FRAME : Aluminum

1-2.IMPELLER: Metal

1-3.BOBBIN PBT UL94V-0

1-4.Shaft holder :

V	Plastic		Copper
	Aluminum		

2.ENVIRONMENTAL

2-1.OPERATING TEMPERATURE : -10 TO +70 DEGREE°C

2-2.STORAGE TEMPERATURE : -40 TO +85 DEGREE°C

2-3.OPERATING HUMIDITY : 15 TO 90% RH

2-4.STORAGE HUMIDITY : 15 TO 90% RH

3. Electrical specification :

3-1.LOCKED ROTOR PROTECTION

IMPEDANCE OF MOTOR WINDING PROTECTS MOTOR FROM FIRE IN 15MINUTE OF LOCKED ROTOR CONDITION AT THE RATED VOLTAGE.

3-2.INSULATION RESISTANCE

10 MEG OHM(MIN.) AT 500 VDC (BETWEEN FRAME AND (+) TERMINAL)

3-3.INSULATION STRENGTH

5 mA MAX. AT 500 VAC 60 Hz ONE MINUTE, (BETWEEN FRAME AND(+)TERMINAL)

4.Drop test:

IN MINIMUM PACKAGING CONDITION FAN WITHSTANDS EACH ONE DROP OF THREE FACES FROM 30 CM DISTANCE HEIGHT ONTO 10 MM THICKNESS OF WOODEN BOARD.

5.LIFE EXPECTANC

70000 HOURS CONTINUOUS OPERATION

ONE YEAR WARRANTY AT 40°C WITH 15~65 %RH..



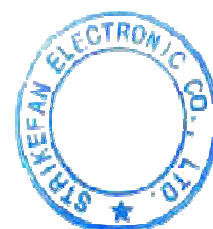
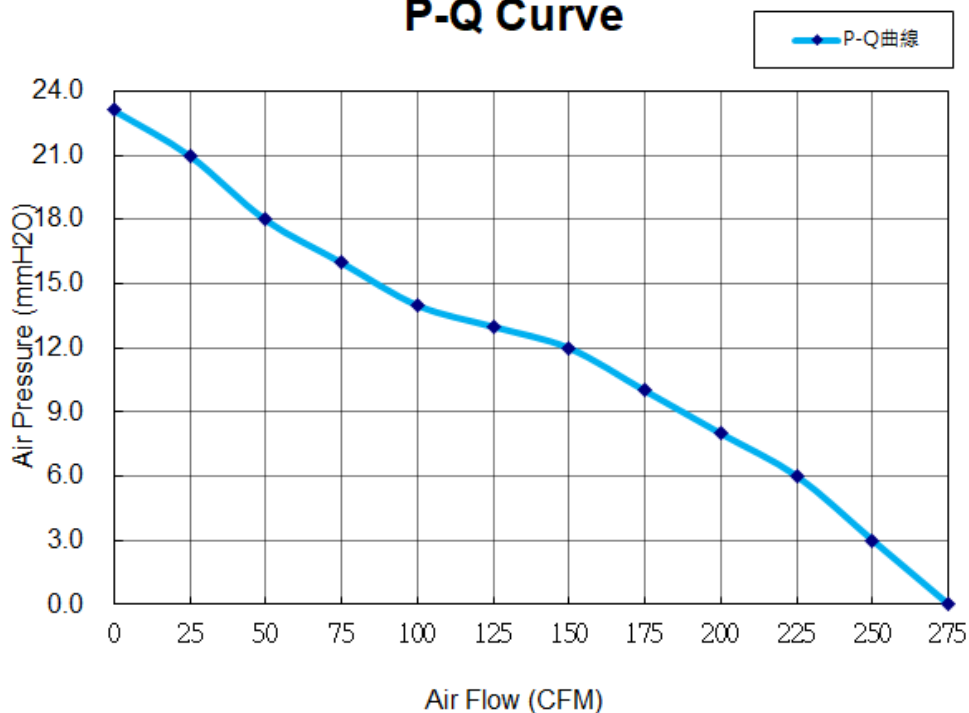


6.Fan Performance Curve Test Report

Test Conditions

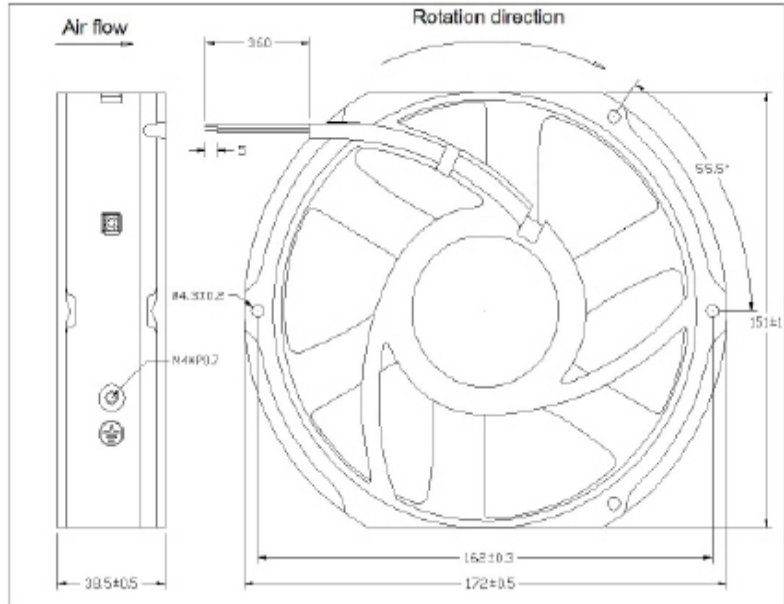
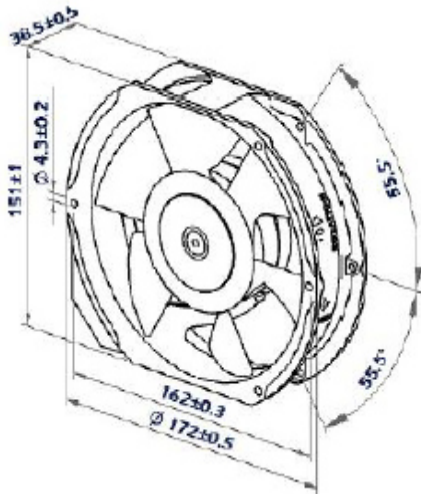
Barometric Pressure:	752.4	Test Voltage:	At rated Voltage
Relative humidity:	66.83%	Test Temp. :	25 °C

P-Q Curve





7.OUTLINE STYLING & DIMENSIONS :



- | |
|------------------------|
| (1)型號/Model No |
| (2)軸承/Bearing Type |
| (3)額定電壓/Rated Voltage |
| (4)安規電流/Rated Current |
| (5)產品編號/Part No |
| (6)安規/Safety Approvals |
| (7)製造日期/Date Code |

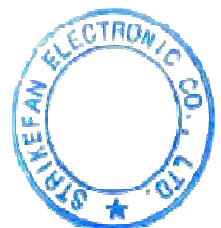


NOTE:

LEAD WIRES: WIRES UL 1007 #22 AWG

Red-----(+)

Black-----(-)





E-mail: atl@atllab.org
 Web: Http://www.atllab.org

Floor.5,Genesis Zhongye Building,No.22,
 Puzai Road,Pingdi Street,Longgang District,
 Shenzhen,Guangdong,China (518000)

EC-Certification of Conformity

EMC Directive 2014/30/EU

Registration No.: ATL202112071171
 Applicant: STRIKEFAN ELECTRONIC CO.,LTD.
 Applicant Address: 4F,NO.100,CHUNG HSIN RD.,HSICHIH DIST,NEW TAIPEI CITY,22158,TAIWAN
 Manufacturer: STRIKEFAN ELECTRONIC CO.,LTD.
 Manufacturer Address: 4F,NO.100,CHUNG HSIN RD.,HSICHIH DIST,NEW TAIPEI CITY,22158,TAIWAN
 Product Designation: DC Fan
 Brand Name: STK
 Model / Series Models: 1238,1305,1504,1708,1804,2004,2008,2507,2512,3004,3008,4505,2010,2510,
 3007,3010,3510,4010,4015,4510,4020,4028,5010,5015,5020,6010,6015,6020,
 6025,6038,7010,7015,7025,7020,7032,7038,8010,8015,8020,8025,8032,8038,
 9015,9225,9232,9238,1225,1232,1238,1338,1425,1438,14050,1551,16050,17225,
 17238,17251,20053,20060,20070,2230,25489,3517,7530,9733,17569,12030,
 10025,5013,15040,13840,8030,8018,3006,3015,17255,22580,28080,5025,13380,
 17065,19067,19072,22076,22599,225101,25099,25094,200,220,250,300,2589,
 1751

Requirement	Applied Standards	Document Evidence	Result
EMC Directive	EN IEC 61000-6-1:2019; EN 61000-6-3:2007/A1:2011/AC:2012.	Test Report: ATL202112071171E01	Conform



Kent Zhang

Signed by Quality Manager
 Issue Date: Dec. 15, 2021



Recognized by Shenzhen ATL Testing Technology Co., Ltd., in accordance with the EMC Directive 2014/30/EU. The certificate doesn't imply assessment of the production. The Applicant of the certificate is authorized to use this certificate in connection with EC declaration of conformity to the Directive. The certificate is only applicable to the equipments described above. This certificate shall not be re-produced except in full without the written approval of Shenzhen ATL Testing Technology Co., Ltd.

Note: This certificate is part of the full test report(s) and should be used in conjunction with it.

GPWV2.E350026 - Fans, Electric - Component

Note: We are enhancing our systems and you may notice duplicate entries/missing/outdated data. During this interim period, please contact our Customer Service at <https://www.ul.com/about/locations>.

Fans, Electric - Component

STRIKEFAN ELECTRONIC CO LTD

E350026

4F No.100 Zhongxing Rd
Xizhi District
New Taipei, 221012 Taiwan

Marking: Company name and model designation.

Note: For additional marking information, refer to the [Guide Information Page](#).

Model(s): S(B)0701512LC(D), S(X)07138812L-3M ((X)=S or B), S(X)07138812M-3M ((X)=S or B), S(X)0802524(Y)D, SB0501012(Y) where (Y)=H,M or L, SB0501012(Y)-3M where (Y)=H,M or L, SB0701512(Y) where (Y)=H,M or L, SB0701512(Y)-3M where (Y)=H,M or L, SB1232(Y)24H - Y may be C, B or S, SB1232(Y)24L - Y may be C, B or S, SB1232(Y)24M - Y may be C, B or S, SB5015(Y)24H - Y may be C, B or S, SB5015(Y)24L - Y may be C, B or S, SB5015(Y)24M - Y may be C, B or S, SB6028(Y)12H - Y may be C, B or S, SB6028(Y)12L - Y may be C, B or S, SB6028(Y)12M - Y may be C, B or S, SB7530(Y)12L - Y may be C, B or S, SB7530(Y)12M - Y may be C, B or S, SB9733(Y)12H - Y may be C, B or S, SB9733(Y)12M - Y may be C, B or S, SB9733(Y)24H - Y may be C, B or S, SB9733(Y)24L - Y may be C, B or S, SB9733(Y)24M - Y may be C, B or S, SD1225(Y)24H - Y may be C, B or S, SD1225(Y)24L - Y may be C, B or S, SD1225(Y)24M - Y may be C, B or S, SD1238(Y)24H - Y may be C, B or S, SD1238(Y)24L - Y may be C, B or S, SD1238(Y)24M - Y may be C, B or S, SD2510(Y)12H - Y may be C, B or S, SD2510(Y)12L - Y may be C, B or S, SD2510(Y)12M - Y may be C, B or S, SD3010(Y)12H - Y may be C, B or S, SD3010(Y)12L - Y may be C, B or S, SD3010(Y)12M - Y may be C, B or S, SD4010(Y)12H - Y may be C, B or S, SD4010(Y)12L - Y may be C, B or S, SD4010(Y)12M - Y may be C, B or S, SD4028(Y)12H - Y may be C, B or S, SD4028(Y)12L - Y may be C, B or S, SD4028(Y)12M - Y may be C, B or S, SD5010(Y)12H - Y may be C, B or S, SD5010(Y)12L - Y may be C, B or S, SD5010(Y)12M - Y may be C, B or S, SD6015(Y)12H - Y may be C, B or S, SD6015(Y)12L - Y may be C, B or S, SD6015(Y)12M - Y may be C, B or S, SD6020(Y)12H - Y may be C, B or S, SD6020(Y)12L - Y may be C, B or S, SD6020(Y)12M - Y may be C, B or S, SD7015(Y)12H - Y may be C, B or S, SD7015(Y)12L - Y may be C, B or S, SD7015(Y)12M - Y may be C, B or S, SD8038(Y)12H - Y may be C, B or S, SD8038(Y)12L - Y may be C, B or S, SD8038(Y)12M - Y may be C, B or S, SD8038(Y)24H - Y may be C, B or S, SD8038(Y)24L - Y may be C, B or S, SD8038(Y)24M - Y may be C, B or S, SD9225(Y)24H - Y may be C, B or S, SD9225(Y)24L - Y may be C, B or S, SD9225(Y)24M - Y may be C, B or S, SD9232(Y)12H - Y may be C, B or S, SD9232(Y)12L - Y may be C, B or S, SD9232(Y)12M - Y may be C, B or S, SD9232(Y)24H - Y may be C, B or S, SD9232(Y)24L - Y may be C, B or S, SD9232(Y)24M - Y may be C, B or S, SD9238(Y)12H - Y may be C, B or S, SD9238(Y)12L - Y may be C, B or S, SD9238(Y)12M - Y may be C, B or S, SD9238(Y)24H - Y may be C, B or S, SD9238(Y)24L - Y may be C, B or S, SD9238(Y)24M - Y may be C, B or S, SRL(A) (B)1402512LB(D), TRD1751B24H, TRD1751B24L, TRD1751B24M, TRD1751B24SH, TRD1751B24UH, TRD1751B24VH, TRD8032(X)12SH, TRD9232(X)12SH, TRD9232(X)24SH, TRDB9733(X)18HH, TRDB9733(X)18L, TRDB9733(X)18M, TRS1725B12D, TRS1725B12H, TRS1725B12L, TRS1725B12M, TRS1725B24D, TRS1725B24H, TRS1725B24L, TRS1725B24M, TRS1725B24VH, TRS6025(X)24SH, TRS7025(X)24H, TRS8020(X)12VH, TRS8020(X)24VH, TRSF9225(X)2425A, TRSF9225(X)2430A, TRSF9225(X)2435A, TRSF9225(X)2440A, TRSH1225(X)2418A, TRSH1225(X)2421A, TRSH1225(X)2424A, TRSH1225(X)2427A

Model(s): S (X)0601512(Y)B refers to where (X)=S or B, (Y)=H,M or L

Model(s): S(A)0601012(B)(C) (A) may be S, B or SB. (B) may be L, M, H or HH. (C) may be "-3M" or blank

Model(s): S(B)0602512H (D) refers to where (B) may be S, B or SB. (D) may be "-3M" or blank

Model(s): S(B)0602512HH (D) refers to where (B) may be S, B or SB. (D) may be "-3M" or blank

Model(s): S(B)0602512L (D) refers to where (B) may be S, B or SB. (D) may be "-3M" or blank

Model(s): S(B)0602512M (D) refers to where (B) may be S, B or SB. (D) may be "-3M" or blank

- DC fans,** Model(s): TRS2510(X)05L - Where (X) maybe S, L or B.
- DC fans,** Model(s): TRS2510(X)05M - Where (X) maybe S, L or B.
- DC fans,** Model(s): TRY12025W48H - where (W) may be S, B, SB
- DC fans,** Model(s): TRY12025W48L - where (W) may be S, B, SB
- DC fans,** Model(s): TRY12025W48M - where (W) may be S, B, SB
- DC fans,** Model(s): TRY2507(Y)05H - Where (Y) may be "S", "B" or "SB"
- DC fans,** Model(s): TRY2507(Y)05L - Where (Y) may be "S", "B" or "SB"
- DC fans,** Model(s): TRY2507(Y)05M - Where (Y) may be "S", "B" or "SB"
- DC fans,** Model(s): TRY2507(Y)12H - Where (Y) may be "S", "B" or "SB"
- DC fans,** Model(s): TRY2507(Y)12L - Where (Y) may be "S", "B" or "SB"
- DC fans,** Model(s): TRY2507(Y)12M - Where (Y) may be "S", "B" or "SB"
- DC fans,** Model(s): TRY4010(Y)05H - Where (Y) may be "S", "B" or "SB"
- DC fans,** Model(s): TRY4010(Y)05L - Where (Y) may be "S", "B" or "SB"
- DC fans,** Model(s): TRY4010(Y)05M - Where (Y) may be "S", "B" or "SB"
- DC fans,** Model(s): TRY4010(Y)12H - Where (Y) may be "S", "B" or "SB"
- DC fans,** Model(s): TRY4010(Y)12L - Where (Y) may be "S", "B" or "SB"
- DC fans,** Model(s): TRY4010(Y)12M - Where (Y) may be "S", "B" or "SB"
- DC fans,** Model(s): TRY4010(Y)24H - Where (Y) may be "S", "B" or "SB"
- DC fans,** Model(s): TRY4010(Y)24L - Where (Y) may be "S", "B" or "SB"
- DC fans,** Model(s): TRY4010(Y)24M - Where (Y) may be "S", "B" or "SB"
- DC fans,** Model(s): TRY5015(Y)05H - Where (Y) may be "S", "B" or "SB"
- DC fans,** Model(s): TRY5015(Y)05L - Where (Y) may be "S", "B" or "SB"
- DC fans,** Model(s): TRY5015(Y)05M - Where (Y) may be "S", "B" or "SB"
- DC fans,** Model(s): TRY5020(Y)05H - Where (Y) may be "S", "B" or "SB"
- DC fans,** Model(s): TRY5020(Y)05L - Where (Y) may be "S", "B" or "SB"
- DC fans,** Model(s): TRY5020(Y)05M - Where (Y) may be "S", "B" or "SB"
- DC fans,** Model(s): TRY7010(Y)24H - Where (Y) may be "S", "B" or "SB"
- DC fans,** Model(s): TRY7010(Y)24L - Where (Y) may be "S", "B" or "SB"
- DC fans,** Model(s): TRY7010(Y)24M - Where (Y) may be "S", "B" or "SB"
- DC Fans,** Model(s): TRL17238B12D(X)(Z) - "where (X) may be 7, 8, 9 or A. (Z) may be 1thru 7 or blank."
- DC Fans,** Model(s): TRL17238B12L(X)(Z) - "where (X) may be 7, 8, 9 or A. (Z) may be 1thru 7 or blank."
- DC Fans,** Model(s): TRL17238B12M(X)(Z) - "where (X) may be 7, 8, 9 or A. (Z) may be 1thru 7 or blank."
- DC Fans,** Model(s): TRL17238B12SD(X)(Z) - "where (X) may be 7, 8, 9 or A. (Z) may be 1thru 7 or blank."



E-mail: atl@atllab.org
 Web: Http://www.atllab.org

Floor.5,Genesis Zhongye Building,No.22,
 Puzai Road,Pingdi Street,Longgang District,
 Shenzhen,Guangdong,China (518000)

EC-Certification of Conformity

EMC Directive 2014/30/EU

Registration No.: ATL202112071171
 Applicant: STRIKEFAN ELECTRONIC CO.,LTD.
 Applicant Address: 4F,NO.100,CHUNG HSIN RD.,HSICHIH DIST,NEW TAIPEI CITY,22158,TAIWAN
 Manufacturer: STRIKEFAN ELECTRONIC CO.,LTD.
 Manufacturer Address: 4F,NO.100,CHUNG HSIN RD.,HSICHIH DIST,NEW TAIPEI CITY,22158,TAIWAN
 Product Designation: DC Fan
 Brand Name: STK
 Model / Series Models: 1238,1305,1504,1708,1804,2004,2008,2507,2512,3004,3008,4505,2010,2510,
 3007,3010,3510,4010,4015,4510,4020,4028,5010,5015,5020,6010,6015,6020,
 6025,6038,7010,7015,7025,7020,7032,7038,8010,8015,8020,8025,8032,8038,
 9015,9225,9232,9238,1225,1232,1238,1338,1425,1438,14050,1551,16050,17225,
 17238,17251,20053,20060,20070,2230,25489,3517,7530,9733,17569,12030,
 10025,5013,15040,13840,8030,8018,3006,3015,17255,22580,28080,5025,13380,
 17065,19067,19072,22076,22599,225101,25099,25094,200,220,250,300,2589,
 1751

Requirement	Applied Standards	Document Evidence	Result
EMC Directive	EN IEC 61000-6-1:2019; EN 61000-6-3:2007/A1:2011/AC:2012.	Test Report: ATL202112071171E01	Conform



Kent Zhang
 Signed by Quality Manager
 Issue Date: Dec. 15, 2021

Recognized by Shenzhen ATL Testing Technology Co., Ltd., in accordance with the EMC Directive 2014/30/EU. The certificate doesn't imply assessment of the production. The Applicant of the certificate is authorized to use this certificate in connection with EC declaration of conformity to the Directive. The certificate is only applicable to the equipments described above. This certificate shall not be re-produced except in full without the written approval of Shenzhen ATL Testing Technology Co., Ltd.

Note: This certificate is part of the full test report(s) and should be used in conjunction with it.