



Strikefan Electronic Co.,Ltd

APPROVAL SHEET

Customer : _____
Model No : TRY1238B48H
Part No : F.4W.C.Q67(1)
Description : DC Fan (RoHS)
Date : 2023 / 5 / 4
Revision : _____

CUSTOMER APPROVED	CHECKED BY	PREPARED BY
	陳祐仁	洪莉嫻

THIS OFFER IS MADE ACCORDING TO YOUR CURRENT INQUIRY. UNLESS OTHERWISE REVISED, THIS SPECIFICATION WILL BE FINAL FOR ALL FUTURE PRODUCTION ORDERS FROM YOUR RESPECTED COMPANY KINDLY STUDY IN DETAILS AND RETURN TO US THE DUPLICATE DULY SIGNED AS YOUR CONFIRMATION OF SAME





Strikefan Electronic Co.,Ltd.

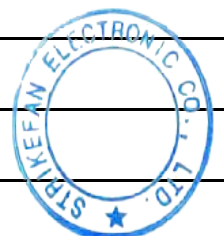
SPECIFICATION

DC AXIAL FAN

ITEM	SPECIFICATION / CONDITION
P/N	TRY1238B48H-F.4W.C.Q67(1)
Dimension 尺寸	120 x 120 x 38 mm
Bearing Type 軸承	Ball Bearing
Rated Voltage 額定電壓	48 VDC
Operating Voltage 工作電壓範圍	36~54 VDC
Startup Voltage 啟動電壓	≤ 36 V
Rated Current 額定電流	2.10(Max:3.90) A
Consuming Power 消耗功率	100.80(Max:187.20) W
Rated Speed 額定轉速	12000 RPM±10%
Air Flow 風量	308.50(Min:303.80) CFM
	8.73(Min:8.60) m ³ /min
Static Pressure 靜壓	170.08(Min:167.51) mm-H ₂ O
	6.70(Min:6.60) inch-H ₂ O
Noise Level 噪音	77.00(Max:80.00) dBA
Safety Certification 安規	UL CE

PROTECTION TYPE 防護類型

Resistance Protected 電阻保護	NO
Auto Restart By IC IC版	YES
Speed Control 速度檢測	YES
Alarm Control 警示功能	NO
Pulse Width Modulation 脈波控制	YES
Temperature Control 溫度控制	NO
Waterproof Level 防水等級	IP67





1.MATERIAL:

- 1-1.FRAME : Aluminum
- 1-2.IMPELLER : BLACK PBT GP

2.ENVIRONMENTAL

- 2-1.OPERATING TEMPERATURE : -10 TO +70 DEGREE°C
- 2-2.STORAGE TEMPERATURE : -40 TO +75 DEGREE°C
- 2-3.OPERATING HUMIDITY : 5 TO 95% RH
- 2-4.STORAGE HUMIDITY : 5 TO 95% RH

3.CHARACTERISTICS & DEFINITION :

3-1.DROP TEST

IN MINIMUM PACKAGING CONDITION FAN WITHSTANDS EACH ONE DROP OF THREE FACES FROM 30 CM DISTANCE HEIGHT ONTO 10 MM THICKNESS OF WOODEN BOARD.

3-2.LOCKED ROTOR PROTECTION

IMPEDANCE OF MOTOR WINDING PROTECTS MOTOR FROM FIRE IN 15MINUTE OF LOCKED ROTOR CONDITION AT THE RATED VOLTAGE.

4.ELECTRICAL INSPECTION:

4-1.INSULATION RESISTANCE

10 MEG OHM MIN.AT 500 VDC (BETWEEN FRAME AND (+) TERMINAL)

4-2.INSULATION STRENGTH

5 mA MAX. AT 500 VAC 60 Hz ONE MINUTE, (BETWEEN FRAME AND(+)TERMINAL)

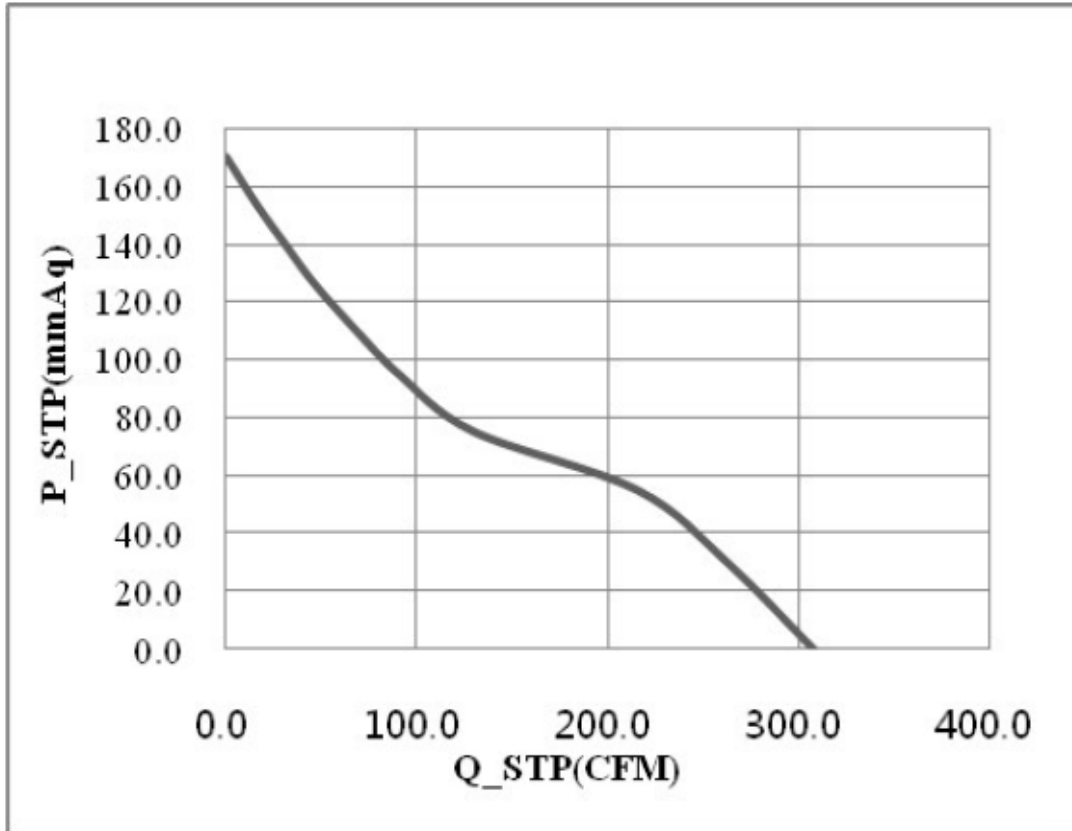
5.LIFE EXPECTANC

70000 HOURS CONTINUOUS OPERATION
AT 40°C WITH 15~65 %RH.1,YEAR WARRANTY.



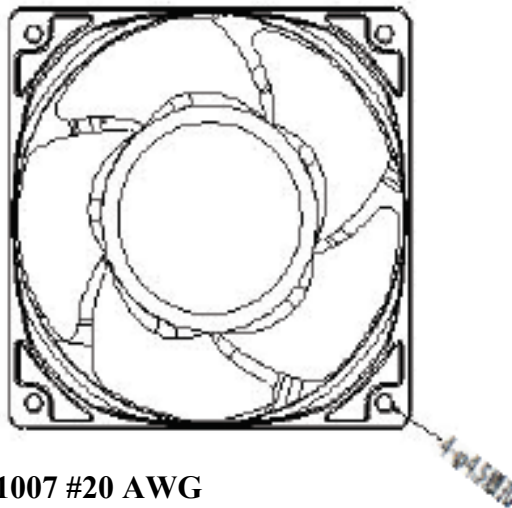
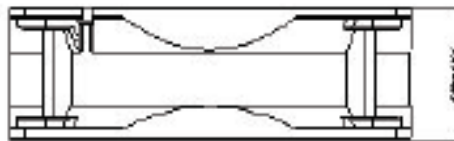
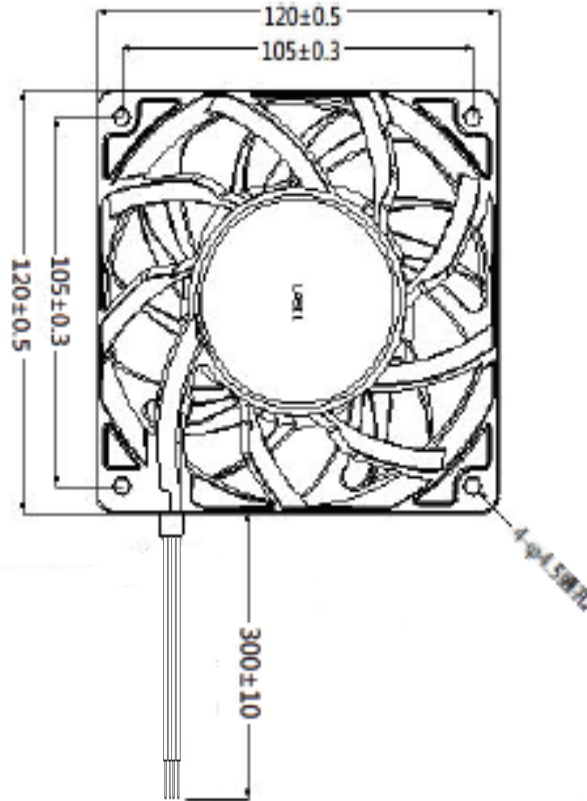


6.Fan Performance Curve Test Report





7.OUTLINE STYLING & DIMENSIONS :



NOTE:

LEAD WIRES: WIRES UL 1007 #20 AWG

Black-----(-)

Red-----(+)



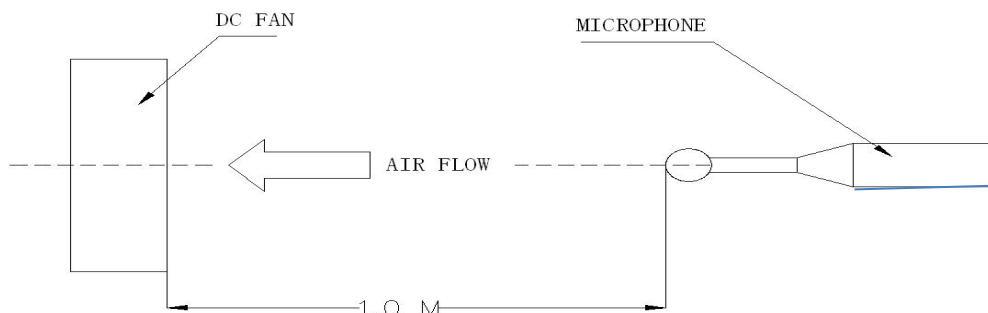


NOTES(一):

1. PLEASE DO NOT TOUCH AND PUSH FAN BLADE WITH FINGERS OR OTHERS, FAN BLADE AND BALL BEARINGS MAY BE DAMAGED AND IT CAUSES NOISE DEFECT.
2. DO NOT CARRY THE FAN BY ITS LEAD WIRES.
3. IF THE FAN DOES NOT HAVE THE POLARITY PROTECTION FUNCTION,THE CONNECTION OF THE COLORED WIRES SHOULD BE RED+RED, AND BLACK+BLACK,OR ELSE THE FAN WILL BE DAMAGED IN NO TIME.
4. FOR THE MODELS WITHOUT REVERSE CONNECTION OF POLARITY PROTECTION, PLEASE DO NOT CONNECT THE LEAD WIRE IN REVERSE.
5. PLEASE DON'T INSTALL THIS FAN IN SERIES WITH 2X VOLTAGE INPUTS. FOR EXAMPLE, IF A SINGLE FAN RATED AT 12V,THEN DON'T INSTALL TWO OF THEM IN SERIES WITH 24V INPUT.
6. THE PERIOD OF PRODUCT WARRANTY,UNLESS OTHERWISE AGREED BY STK IN WRITTEN, SHALL BE 12 MONTHS STARTING FROM THE DATE OF PRODUCTION.
7. IN ORDER TO AVOID ABNORMAL BUMPING OR INTERFERENCE CAUSED BY DEFORMED IMPELLER WHEN FAN IS FASTENED,SUGGESTED DISTANCE OF AT LEAST 0.5MM IS STRONGLY RESERVED IN FRONT OF THE FRAME(THE SIGHT FROM THE IMPELLER FACE).

NOTES(二):

1. ALL READINGS ARE MEASURED AFTER STABLY WARMING UP THROUGH 10 MINUTES.
2. THE VALUES WRITTEN IN PARENS, ARE LIMITED SPEC.
3. ACOUSTICAL NOISE MEASURING CONDITION:



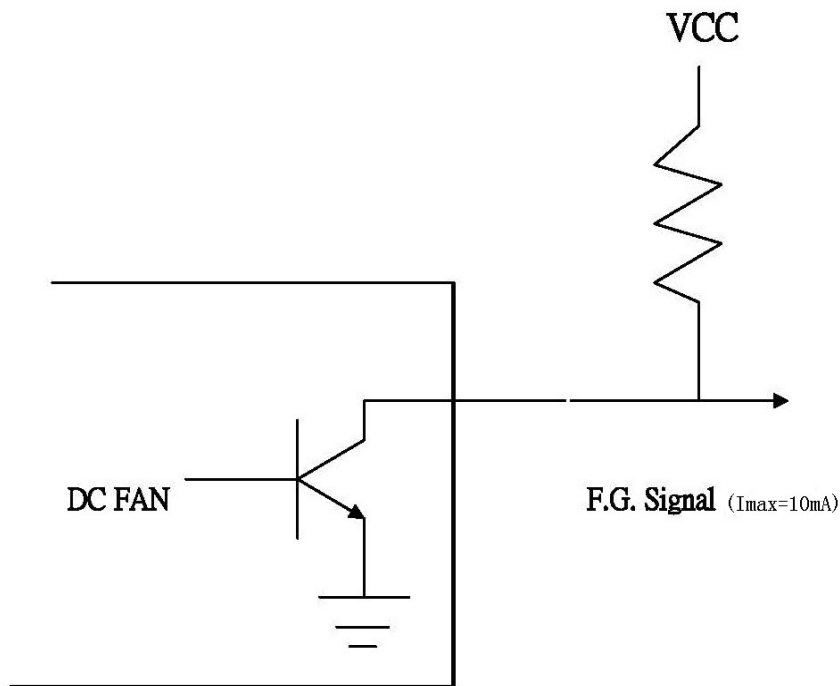
NOISE IS MEASURED AT RATED VOLTAGE IN FREE AIR IN ANECHOIC CHAMBER WITH B & K SOUND LEVEL METER WITH MICROPHONE AT A DISTANCE OF ONE METER FROM THE FAN INTAKE



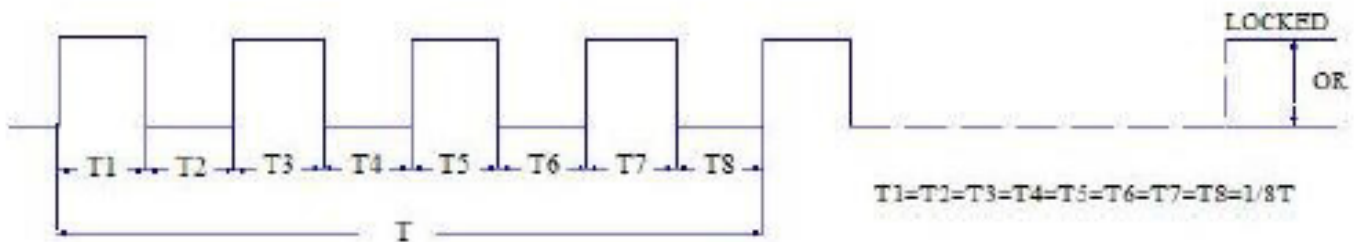
8. ROTATION DETECTION (FG) SIGNAL :

FG : When fan is running, the switch of rotor N, S can make exchange of high and low level.
 And speed faster, the frequency of level exchange faster.
 So we can sense fan's rotation speed via the signal of variational frequency.

8.1 Frequency test mode



8.2 Frequency Generator 0/P



Note:

FG signal wire can not contact with the "+" and "-" lead wire

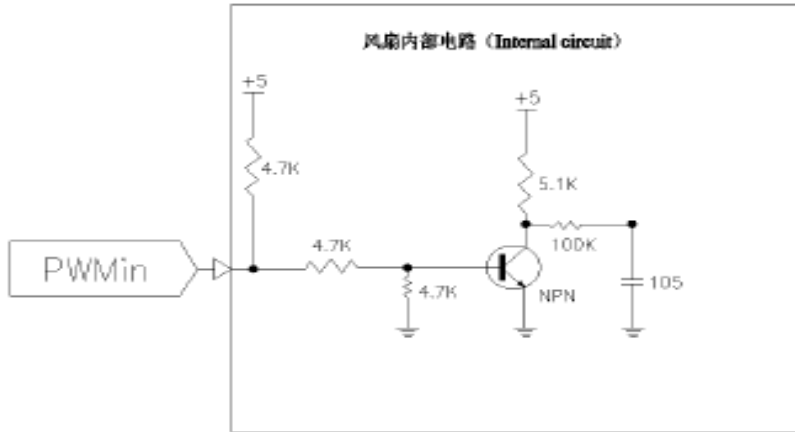
When Fan is locking , the FG signal output voltage may be VFG or 0V (0.5Vmax) <https://www.strikefan.com>



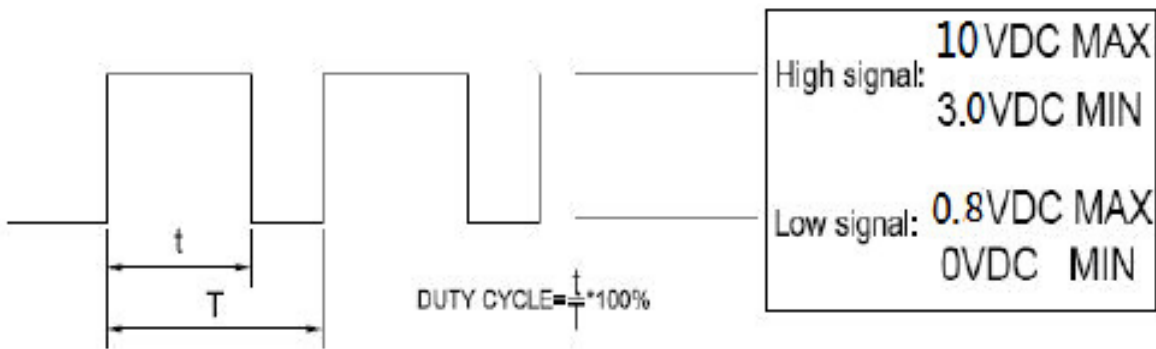
9.PWM Vs RPM Curve :

9-1.PWM SIGNAL:

9-2 Frequency test mode



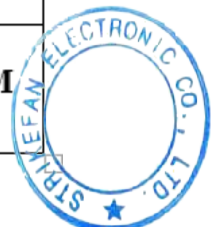
9-3.PWM input signal



The frequency to accept 300Hz to 30KHz

9-4.Speed VS PWM control signal

占空比 (%)	0%	10%	50%	100%
转速 (RPM)	0	4100±10%RPM	7800±10%RPM	12000±10%RPM



GPWV2.E350026 - Fans, Electric - Component

Note: We are enhancing our systems and you may notice duplicate entries/missing/outdated data. During this interim period, please contact our Customer Service at <https://www.ul.com/about/locations>.

Fans, Electric - Component

STRIKEFAN ELECTRONIC CO LTD

E350026

4F No.100 Zhongxing Rd
Xizhi District
New Taipei, 221012 Taiwan

Marking: Company name and model designation.

Note: For additional marking information, refer to the [Guide Information Page](#).

Model(s): S(B)0701512LC(D), S(X)07138812L-3M ((X)=S or B), S(X)07138812M-3M ((X)=S or B), S(X)0802524(Y)D, SB0501012(Y) where (Y)=H,M or L, SB0501012(Y)-3M where (Y)=H,M or L, SB0701512(Y) where (Y)=H,M or L, SB0701512(Y)-3M where (Y)=H,M or L, SB1232(Y)24H - Y may be C, B or S, SB1232(Y)24L - Y may be C, B or S, SB1232(Y)24M - Y may be C, B or S, SB5015(Y)24H - Y may be C, B or S, SB5015(Y)24L - Y may be C, B or S, SB5015(Y)24M - Y may be C, B or S, SB6028(Y)12H - Y may be C, B or S, SB6028(Y)12L - Y may be C, B or S, SB6028(Y)12M - Y may be C, B or S, SB7530(Y)12L - Y may be C, B or S, SB7530(Y)12M - Y may be C, B or S, SB9733(Y)12H - Y may be C, B or S, SB9733(Y)12M - Y may be C, B or S, SB9733(Y)24H - Y may be C, B or S, SB9733(Y)24L - Y may be C, B or S, SB9733(Y)24M - Y may be C, B or S, SD1225(Y)24H - Y may be C, B or S, SD1225(Y)24L - Y may be C, B or S, SD1225(Y)24M - Y may be C, B or S, SD1238(Y)24H - Y may be C, B or S, SD1238(Y)24L - Y may be C, B or S, SD1238(Y)24M - Y may be C, B or S, SD2510(Y)12H - Y may be C, B or S, SD2510(Y)12L - Y may be C, B or S, SD2510(Y)12M - Y may be C, B or S, SD3010(Y)12H - Y may be C, B or S, SD3010(Y)12L - Y may be C, B or S, SD3010(Y)12M - Y may be C, B or S, SD4010(Y)12H - Y may be C, B or S, SD4010(Y)12L - Y may be C, B or S, SD4010(Y)12M - Y may be C, B or S, SD4028(Y)12H - Y may be C, B or S, SD4028(Y)12L - Y may be C, B or S, SD4028(Y)12M - Y may be C, B or S, SD5010(Y)12H - Y may be C, B or S, SD5010(Y)12L - Y may be C, B or S, SD5010(Y)12M - Y may be C, B or S, SD6015(Y)12H - Y may be C, B or S, SD6015(Y)12L - Y may be C, B or S, SD6015(Y)12M - Y may be C, B or S, SD6020(Y)12H - Y may be C, B or S, SD6020(Y)12L - Y may be C, B or S, SD6020(Y)12M - Y may be C, B or S, SD7015(Y)12H - Y may be C, B or S, SD7015(Y)12L - Y may be C, B or S, SD7015(Y)12M - Y may be C, B or S, SD8038(Y)12H - Y may be C, B or S, SD8038(Y)12L - Y may be C, B or S, SD8038(Y)12M - Y may be C, B or S, SD8038(Y)24H - Y may be C, B or S, SD8038(Y)24L - Y may be C, B or S, SD8038(Y)24M - Y may be C, B or S, SD9225(Y)24H - Y may be C, B or S, SD9225(Y)24L - Y may be C, B or S, SD9225(Y)24M - Y may be C, B or S, SD9232(Y)12H - Y may be C, B or S, SD9232(Y)12L - Y may be C, B or S, SD9232(Y)12M - Y may be C, B or S, SD9232(Y)24H - Y may be C, B or S, SD9232(Y)24L - Y may be C, B or S, SD9232(Y)24M - Y may be C, B or S, SD9238(Y)12H - Y may be C, B or S, SD9238(Y)12L - Y may be C, B or S, SD9238(Y)12M - Y may be C, B or S, SD9238(Y)24H - Y may be C, B or S, SD9238(Y)24L - Y may be C, B or S, SD9238(Y)24M - Y may be C, B or S, SRL(A) (B)1402512LB(D), TRD1751B24H, TRD1751B24L, TRD1751B24M, TRD1751B24SH, TRD1751B24UH, TRD1751B24VH, TRD8032(X)12SH, TRD9232(X)12SH, TRD9232(X)24SH, TRDB9733(X)18HH, TRDB9733(X)18L, TRDB9733(X)18M, TRS1725B12D, TRS1725B12H, TRS1725B12L, TRS1725B12M, TRS1725B24D, TRS1725B24H, TRS1725B24L, TRS1725B24M, TRS1725B24VH, TRS6025(X)24SH, TRS7025(X)24H, TRS8020(X)12VH, TRS8020(X)24VH, TRSF9225(X)2425A, TRSF9225(X)2430A, TRSF9225(X)2435A, TRSF9225(X)2440A, TRSH1225(X)2418A, TRSH1225(X)2421A, TRSH1225(X)2424A, TRSH1225(X)2427A

Model(s): S (X)0601512(Y)B refers to where (X)=S or B, (Y)=H,M or L

Model(s): S(A)0601012(B)(C) (A) may be S, B or SB. (B) may be L, M, H or HH. (C) may be "-3M" or blank

Model(s): S(B)0602512H (D) refers to where (B) may be S, B or SB. (D) may be "-3M" or blank

Model(s): S(B)0602512HH (D) refers to where (B) may be S, B or SB. (D) may be "-3M" or blank

Model(s): S(B)0602512L (D) refers to where (B) may be S, B or SB. (D) may be "-3M" or blank

Model(s): S(B)0602512M (D) refers to where (B) may be S, B or SB. (D) may be "-3M" or blank

Model(s): TRY12032(Y)24M - Where (Y) may be "S", "B" or "SB"

Model(s): TRY12038(Y)12H - Where (Y) may be "S", "B" or "SB"

Model(s): TRY12038(Y)12L - Where (Y) may be "S", "B" or "SB"

Model(s): TRY12038(Y)12M - Where (Y) may be "S", "B" or "SB"

Model(s): TRY12038(Y)24H - Where (Y) may be "S", "B" or "SB"

Model(s): TRY12038(Y)24L - Where (Y) may be "S", "B" or "SB"

Model(s): TRY12038(Y)24M - Where (Y) may be "S", "B" or "SB"

Model(s): TRY12038(Y)48H - Where (Y) may be "S", "B" or "SB"

Model(s): TRY12038(Y)48L - Where (Y) may be "S", "B" or "SB"

Model(s): TRY12038(Y)48M - Where (Y) may be "S", "B" or "SB"

Model(s): TRY12038W12H - Where (W) may be "S", "B" or "SB"

Model(s): TRY12038W12L - Where (W) may be "S", "B" or "SB"

Model(s): TRY12038W12M - Where (W) may be "S", "B" or "SB"

Model(s): TRY12038W24H - Where (W) may be "S", "B" or "SB"

Model(s): TRY12038W24L - Where (W) may be "S", "B" or "SB"

Model(s): TRY12038W24M - Where (W) may be "S", "B" or "SB"

Model(s): TRY12038W48H - Where (W) may be "S", "B" or "SB"

Model(s): TRY12038W48L - Where (W) may be "S", "B" or "SB"

Model(s): TRY12038W48M - Where (W) may be "S", "B" or "SB"

Model(s): TRY13525(Y)12H - Where (Y) may be "S", "B" or "SB"

Model(s): TRY13525(Y)12L - Where (Y) may be "S", "B" or "SB"

Model(s): TRY13525(Y)12M - Where (Y) may be "S", "B" or "SB"

Model(s): TRY13525(Y)24H - Where (Y) may be "S", "B" or "SB"

Model(s): TRY13525(Y)24L - Where (Y) may be "S", "B" or "SB"

Model(s): TRY13525(Y)24M - Where (Y) may be "S", "B" or "SB"

Model(s): TRY140(Y)24H - Where (Y) may be "S", "B" or "SB"

Model(s): TRY140(Y)24L - Where (Y) may be "S", "B" or "SB"

Model(s): TRY140(Y)24M - Where (Y) may be "S", "B" or "SB"

Model(s): TRY140(Y)48H - Where (Y) may be "S", "B" or "SB"

Model(s): TRY140(Y)48L - Where (Y) may be "S", "B" or "SB"

Model(s): TRY140(Y)48M - Where (Y) may be "S", "B" or "SB"

Model(s): TRY14038(Y)12H - Where (Y) may be "S", "B" or "SB"

Model(s): TRY14038(Y)12L - Where (Y) may be "S", "B" or "SB"



E-mail: atl@atllab.org
 Web: Http://www.atllab.org

Floor.5,Genesis Zhongye Building,No.22,
 Puzai Road,Pingdi Street,Longgang District,
 Shenzhen,Guangdong,China (518000)

EC-Certification of Conformity

EMC Directive 2014/30/EU

Registration No.: ATL202112071171
 Applicant: STRIKEFAN ELECTRONIC CO.,LTD.
 Applicant Address: 4F,NO.100,CHUNG HSIN RD.,HSICHIH DIST,NEW TAIPEI CITY,22158,TAIWAN
 Manufacturer: STRIKEFAN ELECTRONIC CO.,LTD.
 Manufacturer Address: 4F,NO.100,CHUNG HSIN RD.,HSICHIH DIST,NEW TAIPEI CITY,22158,TAIWAN
 Product Designation: DC Fan
 Brand Name: STK
 Model / Series Models: 1238,1305,1504,1708,1804,2004,2008,2507,2512,3004,3008,4505,2010,2510,
 3007,3010,3510,4010,4015,4510,4020,4028,5010,5015,5020,6010,6015,6020,
 6025,6038,7010,7015,7025,7020,7032,7038,8010,8015,8020,8025,8032,8038,
 9015,9225,9232,9238,1225,1232,1238,1338,1425,1438,14050,1551,16050,17225,
 17238,17251,20053,20060,20070,2230,25489,3517,7530,9733,17569,12030,
 10025,5013,15040,13840,8030,8018,3006,3015,17255,22580,28080,5025,13380,
 17065,19067,19072,22076,22599,225101,25099,25094,200,220,250,300,2589,
 1751

Requirement	Applied Standards	Document Evidence	Result
EMC Directive	EN IEC 61000-6-1:2019; EN 61000-6-3:2007/A1:2011/AC:2012.	Test Report: ATL202112071171E01	Conform



Kent Zhang

Signed by Quality Manager
 Issue Date: Dec. 15, 2021



Recognized by Shenzhen ATL Testing Technology Co., Ltd., in accordance with the EMC Directive 2014/30/EU. The certificate doesn't imply assessment of the production. The Applicant of the certificate is authorized to use this certificate in connection with EC declaration of conformity to the Directive. The certificate is only applicable to the equipments described above. This certificate shall not be re-produced except in full without the written approval of Shenzhen ATL Testing Technology Co., Ltd.

Note: This certificate is part of the full test report(s) and should be used in conjunction with it.