

VXK SERIES

NEW

105°C 5000 hours, Ultra Miniaturized, Snap-in Terminal Type

◆FEATURES

- Load Life : 105°C 5000 hours.
- Smaller size than VXH series.
- RoHS compliance.



◆SPECIFICATIONS

Items	Characteristics						
Category Temperature Range	-25~+105°C						
Rated Voltage Range	400~450Vdc						
Capacitance Tolerance	±20% (20°C, 120Hz)						
Leakage Current(MAX)	$I=3\sqrt{CV}$ (After 5 minutes application of rated voltage) I =Leakage Current(μ A) C =Capacitance(μ F) V =Rated Voltage(Vdc)						
(tan δ) Dissipation Factor(MAX)	0.2 (20°C, 120Hz)						
Endurance	After applying rated voltage with rated ripple current for 5000 hours at 105°C, the capacitors shall meet the following requirements. <table border="1" style="margin-left: 20px;"> <tr> <td>Capacitance Change</td> <td>Within ±20% of the initial value.</td> </tr> <tr> <td>Dissipation Factor</td> <td>Not more than 200% of the specified value.</td> </tr> <tr> <td>Leakage Current</td> <td>Not more than the specified value.</td> </tr> </table>	Capacitance Change	Within ±20% of the initial value.	Dissipation Factor	Not more than 200% of the specified value.	Leakage Current	Not more than the specified value.
Capacitance Change	Within ±20% of the initial value.						
Dissipation Factor	Not more than 200% of the specified value.						
Leakage Current	Not more than the specified value.						
Low Temperature Stability Impedance Ratio(MAX)	<table border="1" style="margin-left: 20px;"> <tr> <td>Rated Voltage (Vdc)</td> <td>400~450</td> <td>(120Hz)</td> </tr> <tr> <td>Z(-25°C)/Z(20°C)</td> <td>8</td> <td></td> </tr> </table>	Rated Voltage (Vdc)	400~450	(120Hz)	Z(-25°C)/Z(20°C)	8	
Rated Voltage (Vdc)	400~450	(120Hz)					
Z(-25°C)/Z(20°C)	8						

◆MULTIPLIER FOR RIPPLE CURRENT

Frequency (Hz)	60(50)	120(100)	300	500	1k	10k \leq
Coefficient	0.80	1.00	1.15	1.20	1.25	1.40

◆OPTION

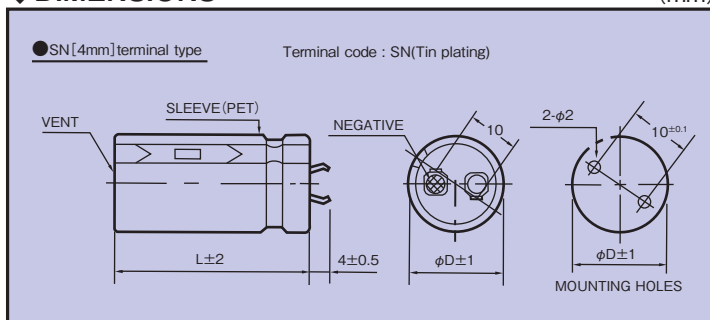
	Code
PET Sleeve without plate	EFC

◆PART NUMBER

□□□ / VXK / □□□□□ / M / □□□ / SN / D×L
 Rated Voltage Series Capacitance Capacitance Tolerance Option Terminal Code Case Size

◆DIMENSIONS

(mm)



◆ STANDARD SIZE

Cap(μF)	Vdc		400									
	φD		φ22		φ25		φ30		φ35			
150	22	25	1.01									
180	22	30	1.17	25	25	1.13						
220	22	35	1.33	25	30	1.31						
270	22	40	1.52	25	35	1.50	30	25	1.33			
330	22	50	1.78	25	40	1.70	30	30	1.55			
390	22	55	1.97	25	45	1.89	30	30	1.60	35	25	1.43
470				25	50	2.10	30	35	1.82	35	30	1.68
560				25	55	2.31	30	40	2.04	35	35	1.92
680							30	50	2.42	35	40	2.15
820							30	55	2.64	35	45	2.37
1000										35	50	2.58
1200										35	60	2.95

Cap(μF)	Vdc		420									
	φD		φ22		φ25		φ30		φ35			
120	22	25	0.92									
150	22	30	1.08									
180	22	35	1.23	25	25	1.12						
220	22	40	1.40	25	30	1.30						
270	22	45	1.58	25	35	1.49	30	25	1.32			
330	22	50	1.78	25	40	1.69	30	30	1.54	35	25	1.40
390	22	60	2.02	25	45	1.88	30	35	1.75	35	30	1.64
470				25	55	2.17	30	40	1.96	35	35	1.85
560							30	50	2.29	35	40	2.07
680							30	55	2.51	35	45	2.29
820										35	50	2.50
1000										35	60	2.89

Cap(μF)	Vdc		450									
	φD		φ22		φ25		φ30		φ35			
120	22	25	0.93									
150	22	30	1.09	25	25	1.06						
180	22	35	1.24	25	30	1.22						
220	22	40	1.41	25	35	1.39	30	25	1.26			
270	22	50	1.65	25	40	1.58	30	30	1.46	35	25	1.35
330	22	55	1.85	25	45	1.78	30	35	1.67	35	30	1.58
390				25	50	1.97	30	40	1.87	35	30	1.61
470				25	60	2.26	30	45	2.08	35	35	1.84
560							30	50	2.29	35	40	2.06
680							30	60	2.63	35	45	2.28
820										35	55	2.66

↑ Ripple Current (A r.m.s./120Hz, 105°C)
 ↑ Case Size φD×L(mm)