

ELYTONE ELECTRONIC CO.,LTD.

APPROVAL SHEETS

Customer : CODICO

Part No. : 292877 **Rev.** :

Sample No. : YT-35636 **Date of submission** : 2020/1/16

Product : Transformer (T6x3x3C SMD)

Please note items listed below does not meet your printed specifications and requires your consent for deviation:

Item	Printed Specification	Proposed Specification

Remark :

ALL MATERIAL MEET RoHS

The product has passed the hi-pot test 100%.

Operating Temperature form -40°C to 125°C including temp rise.



Please evaluate the samples, sign this approval sheet, and return by FAX to ELYTONE

- Approved
- Disapproved
- Conditional Approved

Comment :

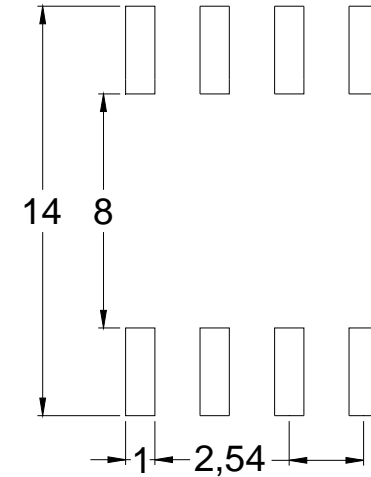
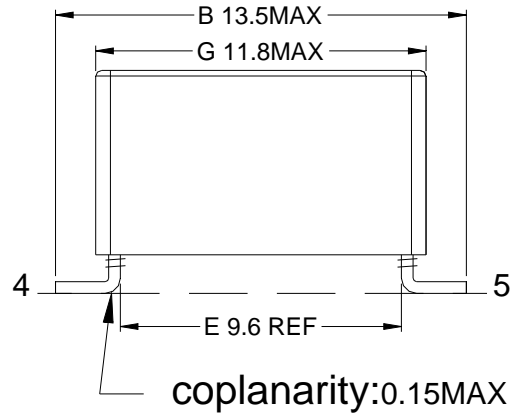
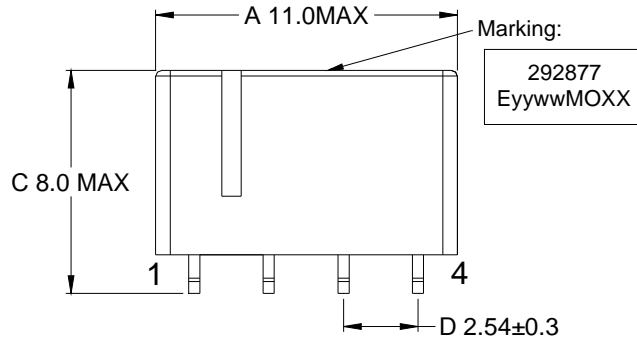
Engineer: Kotting

Verified: Casper

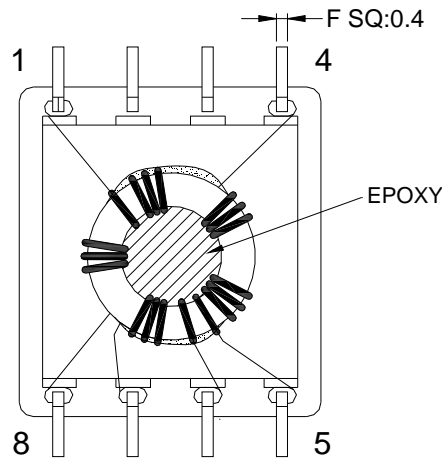
Approved by :

ELYTONE ELECTRONIC CO.,LTD.

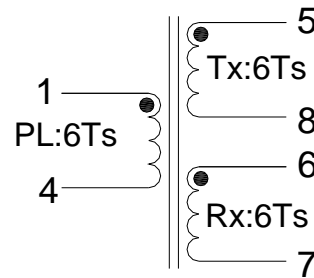
Mechanical dimension & Schematic



Suggested PCB Layout



(BOTTOM VIEW)



UNIT:mm

Remark:.

Customer : CODICO

Part No. : 292877

Rev.:

Sample No. : YT-35636

ELYTONE ELECTRONIC CO.,LTD.

Electrical Requirements :			Remark :											
Testing Item	Specification	Pin No.	Samples tested data											
			1	2	3	4	5	6	7	8	9	10		
INDUCTANCE @2.0MHz,1.0Vrms WK-6500B	8.0μH MIN	5 – 8	14.00	12.18	13.46	14.55	13.71							
	8.0μH MIN	6 – 7	13.95	12.21	13.44	14.55	13.70							
	8.0μH MIN	1 – 4	14.00	12.18	13.45	14.48	13.70							
DC RESISTANCE 502AC	52.0mΩ MAX	5 – 8	44.21	43.81	44.14	42.91	44.13							
	52.0mΩ MAX	6 – 7	41.73	41.12	41.08	42.32	41.98							
	52.0mΩ MAX	1 – 4	43.68	43.51	42.95	44.45	43.97							
HI-POT TEST GPT-615	4000VAC, 1mA, 1Sec	1,4 – 5,6	OK	OK	OK	OK	OK							
	500VAC, 1mA, 1Sec	5 – 6	OK	OK	OK	OK	OK							
Interwinding capacitance @100kHz, 0.1Vrms WK-6500B	9.0pFMAX	1-8 (TIE7+8)	2.60	2.44	2.68	2.31	2.37							
Dimension Measurement :			UNIT: mm											
Equipment	Specification	Position	Samples Tested Data											
micrometer	11.0MAX	A	10.16	10.17	10.16	10.18	10.17							
Mitutoyo CD-6”B	13.5MAX	B	12.15	12.14	12.18	12.22	12.18							
	8.0MAX	C	7.42	7.42	7.45	7.48	7.44							
	2.54±0.3	D	2.46	2.54	2.52	2.51	2.52							
	9.6REF	E	9.48	9.48	9.42	9.64	9.56							
	SQ:0.4	F	0.44	0.45	0.45	0.46	0.41							
	11.8MAX	G	11.44	11.44	11.45	11.44	11.45							
Customer : CODICO			Part No. : 292877			Rev.:			Sample No. : YT-35636					