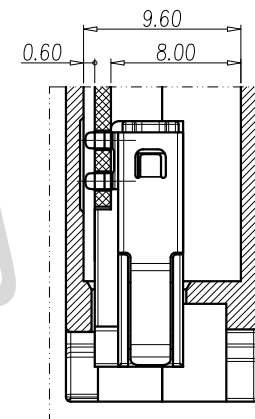
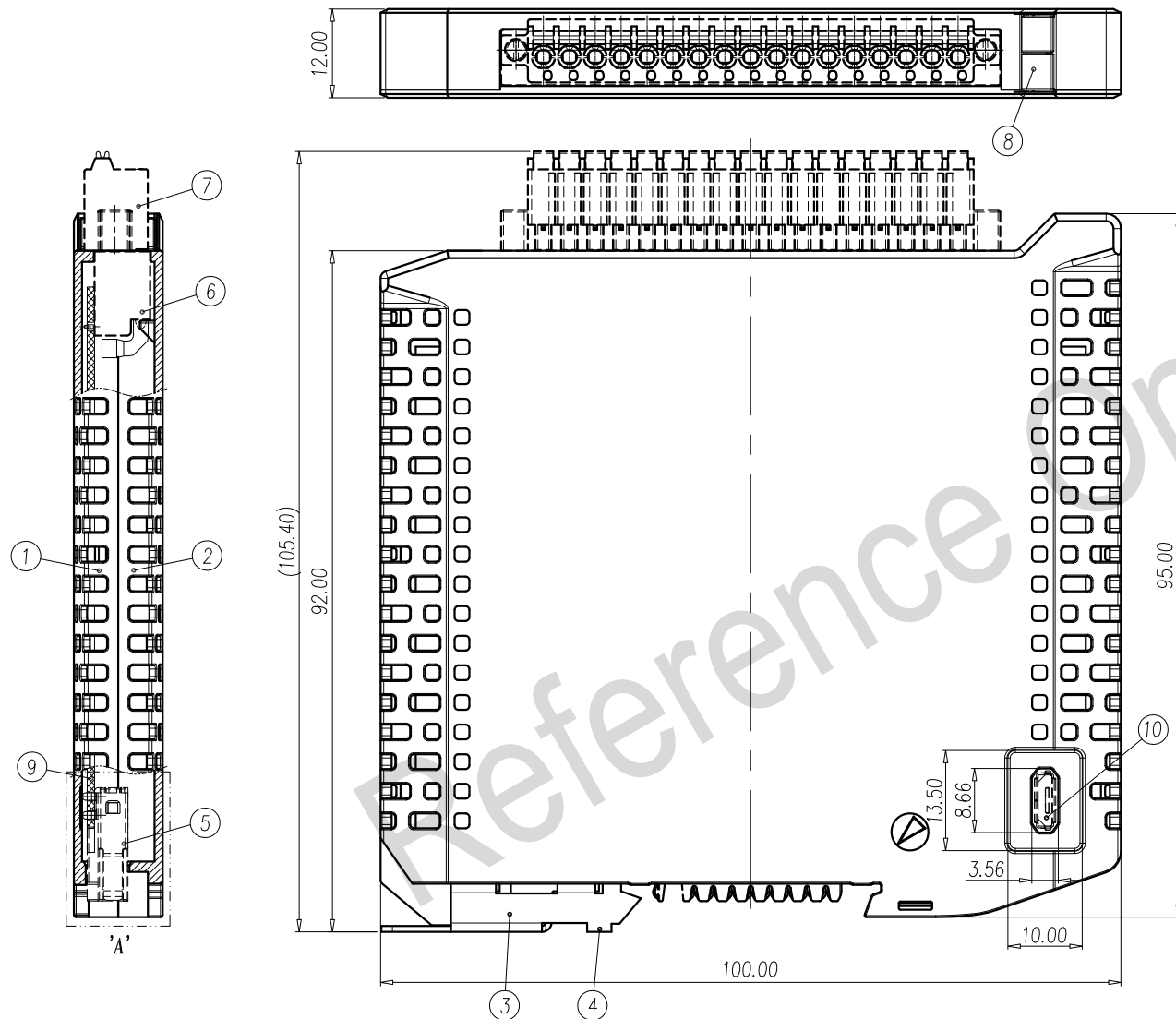


Total Pitch Tolerances		Normal Dimension Tolerances	
0~30	±0.20	0~30	±0.25
over 30~53	±0.25	over 30~53	±0.30
over 53~70	±0.30	over 53~70	±0.35
over 70~90	±0.35	over 70~90	±0.44
over 90~115	±0.44	over 90~115	±0.55
over 115~150	±0.55	over 115~150	±0.70
over 150~200	±0.70	over 150~200	±0.85
over 200~250	±0.85	over 200~250	±1.00
over 250~320	±1.00	over 250~320	±1.20



DETAIL:A
S=3:1

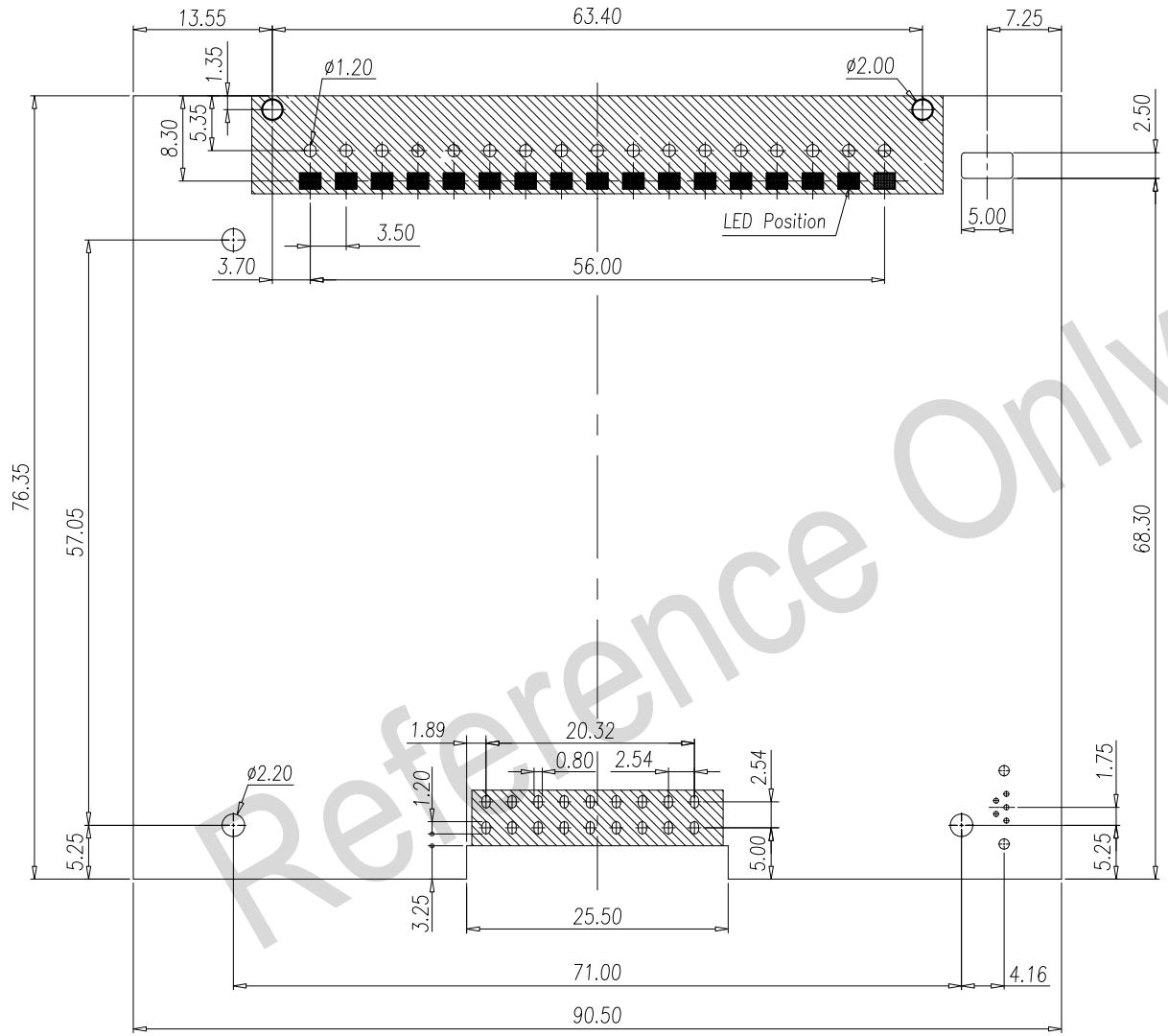
10	Micro USB	SIMULATION PART	
9	PCB		
8	TM20D		
7	0225-0117	OPTION	
6	0225-1117TH/14		
5	BS-100		
4	BS-5212-04	STEEL	Zn Plated
3	BS-5211-03	STEEL	
2	BS-5212U-02	PC	GREY
1	BS-5212-01	PC	GREY
ITEM	NAME OF PART	MATERIAL	NOTES

NOTES:

- Rating: 150V 8A
- Insulation Withstands Voltage: AC 1000V at 1 minute
- Insulation Resistance: 500MΩ or more at DC500V
- Using Temperature Range: -40°C ~ +105°C
- Suitable Electric Wire: 28~16 AWG
- RoHS Compliance
- The BOM listed as below separate packaging and shipment

REV.	CONTENT	NAME	DATE

DWG.	ZW	DATE	2017.02.04	UNITS	MM	SHEET/OF	1 / 2
CHK.		DATE		SCALE	1.5:1 (:)		
APP.		DATE		NAME	BS-5212U		
				DWG NO.	SP-03-BS5212U0		



FOR P.C.B. LAYOUT

- NOTES:
 1. The thickness of P.C.B is 1.0mm

DWG.	ZW	DATE	2017.02.04	UNITS	MM	SHEET/OF	2 / 2
CHK.		DATE		SCALE	2:1 (:)		
APP.		DATE		NAME	BS-5212U		
				DWG NO.	SP-03-BS5212U0		

REV.	CONTENT	NAME	DATE