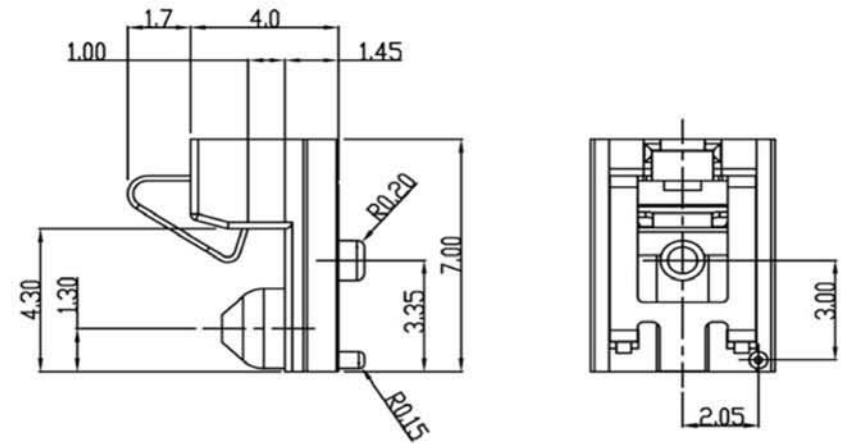
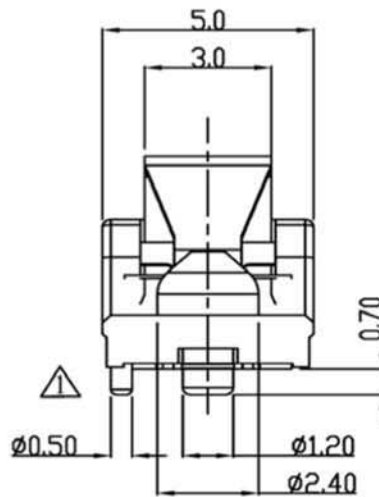
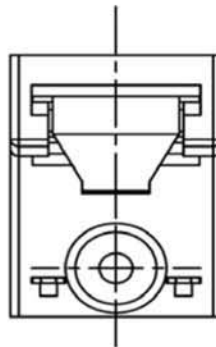
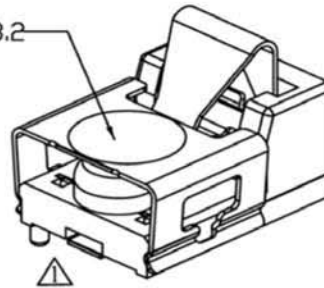


PICK & PLACE AREA $\phi 3.2$



ORDER INFORMATION

MPCIH1 - LATCH - 2 R - COD

1 2 3

1.SERIES NO.
MPCIH1:Mini PCI H=4.0mm

2.PACKAGING
2:Tape & Reel

3.R:RoHS

ITEM	PART NAME	Q'TY	MATERIAL	PLATING
1	BODY	1	LCP	
2	LATCH	1	PHOSPHOR BRONZE	TIN 100u'
3	COVER	1	STAINLESS	N/A

GENERAL TOLERANCE

DECIMAL	LINEAR	ANGLES
X.	±0.50	±5°
X.X	±0.25	±3°
X.XX	±0.12	±1°

SIZE

A4

REV.

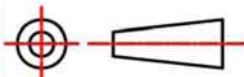
0

DRAWN

Sam

DATE

08/11/15



UNIT:mm

DESCRIPTION:

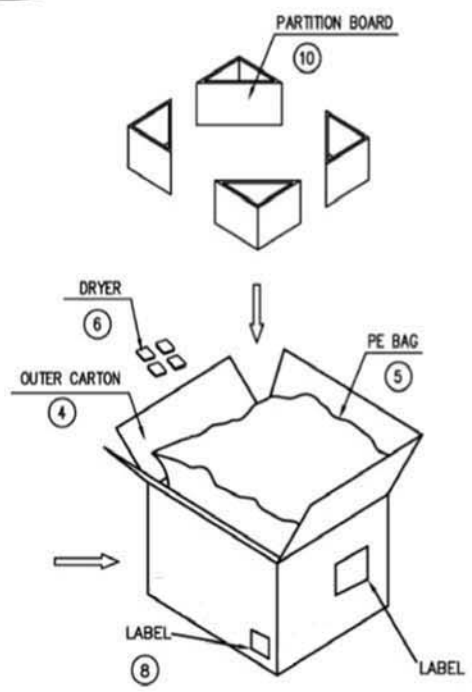
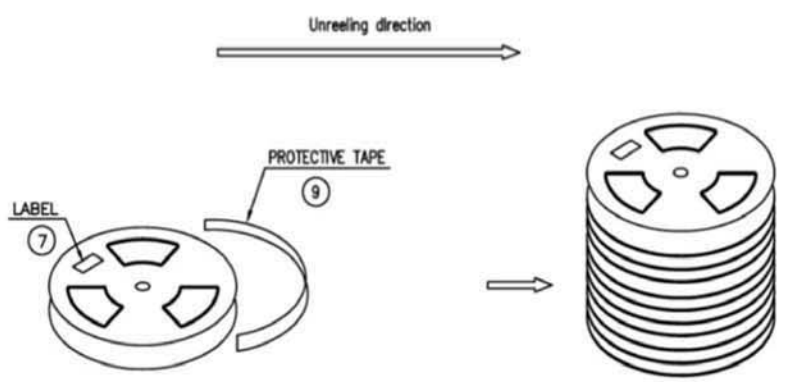
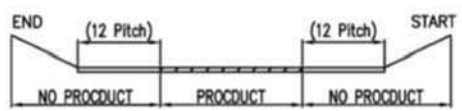
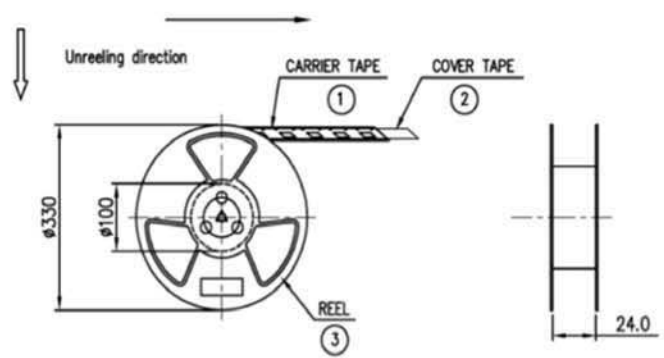
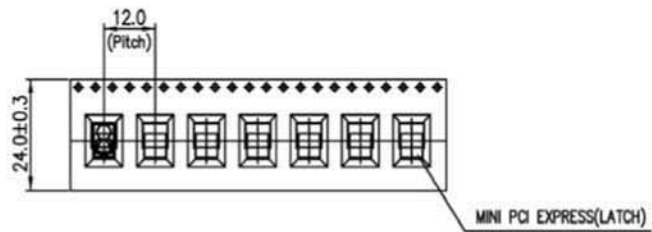
MINI PCI EXPRESS SOCKET
H =4.0mm Latch (RoHS)

PRODUCT NO.

MPCIH1-LATCH-2R-COD

FILE NAME.

TAITEK
COMPONENTS CO., LTD



NOTES:

- PACKING STYLE
700 PCS/REEL
7000 PCS/OUTER CARTON
- MATERIAL CARRIER TAPE:PS BLACK
COVER TAPE:PET FILM
REEL:PLASTIC
- PEEL STRENGTH OF COVER TAPE: 20-80g(PEEL SPEED 300mm/MINUTE).

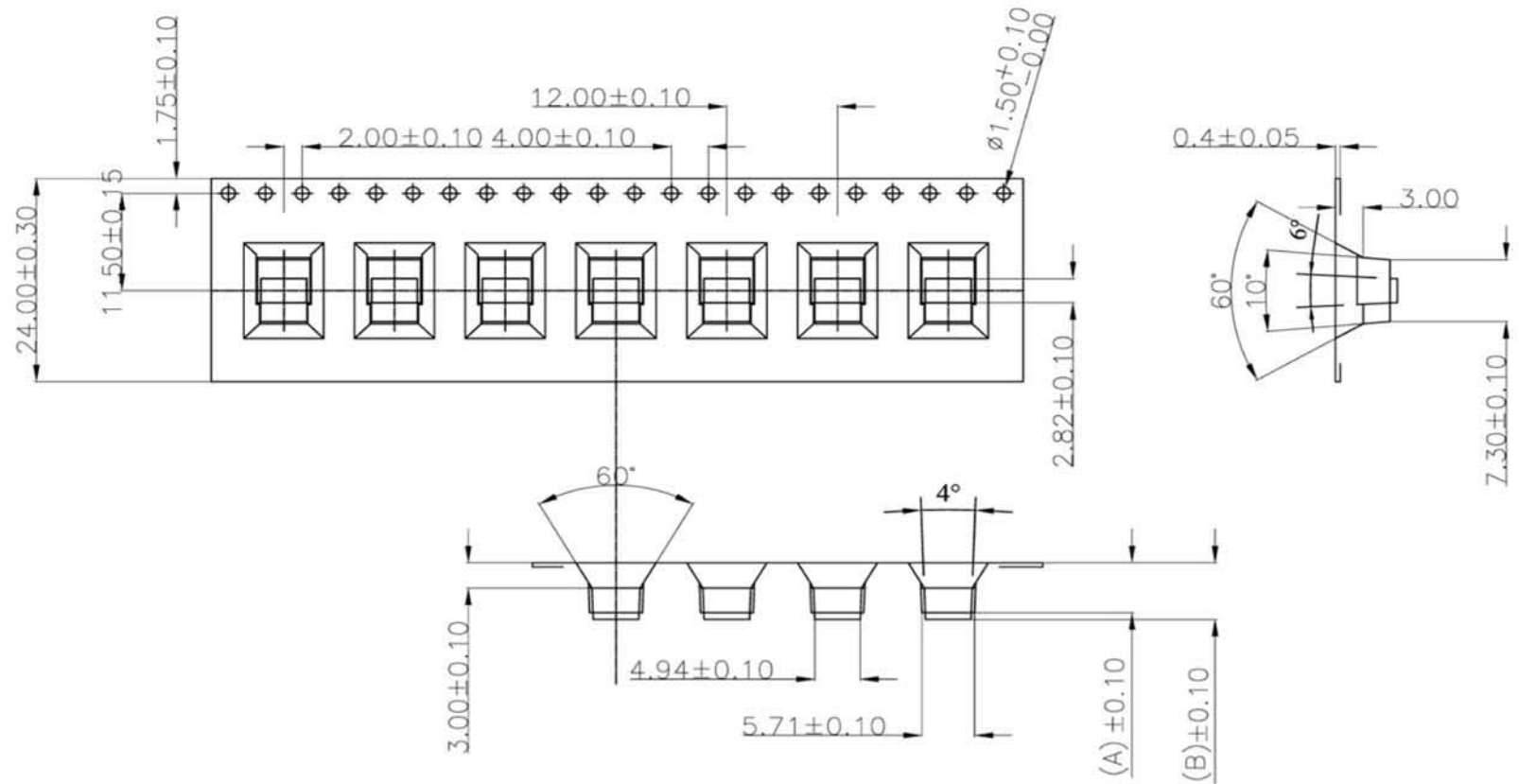
10	PARTITION BOARD	4	PCS	
9	PROTECTIVE TAPE	3	PCS	
8	LABEL	1	PCS	
7	LABEL	6	PCS	
6	DRYER	4	BAG	
5	PE BAG	1	PCS	L850*W750mm
4	OUTER CARTON	1	PCS	
3	REEL	10	SET	330*100mm,W=44mm
2	COVER TAPE	SEE NOTES	10	PCS W=21.5mm
1	CARRIER TAPE			W=24mm,T=0.5mm
NO	PACKING NAME	PCS/R	R/BOX	UNIT
			PACKING QTY	NOTE

GENERAL TOLERANCE		SIZE	DRAWN	<p>UNIT:mm</p>
ANG.	±5°	A4	Sam	
0.	±0.3	REV.	DATE	
0.0	±0.25	0	08/11/15	
0.00	±0.20			

DESCRIPTION:
MINI PCI EXPRESS SOCKET
 H =4.0mm Latch (RoHS)

PRODUCT NO.
MPCIH1-LATCH-2R-COD
 FILE NAME.





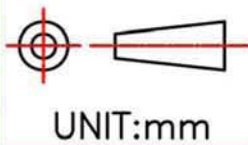
NOTES:

- 1.10 sprocket hole pitch cumulative tolerance ± 0.20 mm.
2. Carrier camber not to exceed 1mm in 100 mm.
3. All scope meet EIA-481-C requirements.
4. Material: Black Anti-static Polystyrene.
5. Thickness: 0.40 ± 0.05 mm.

A	5.90
B	6.70

GENERAL TOLERANCE	
ANG.	$\pm 5^\circ$
0.	± 0.3
0.0	± 0.25
0.00	± 0.20

SIZE	DRAWN
A4	Sam
REV.	DATE
0	08/11/15



DESCRIPTION:
 MINI PCI EXPRESS SOCKET
 H = 4.0mm Latch (RoHS)

PRODUCT NO.
 MPCIH1-LATCH-2R-COD
 FILE NAME.

TAITEK
 COMPONENTS CO., LTD