

EC25 Mini PCIe

Hardware Design

LTE Module Series

Rev. EC25_Mini_PCl_e_Hardware_Design_V1.0

Date: 2016-06-07



Our aim is to provide customers with timely and comprehensive service. For any assistance, please contact our company headquarters:

Quectel Wireless Solutions Co., Ltd.

Office 501, Building 13, No.99, Tianzhou Road, Shanghai, China, 200233

Tel: +86 21 5108 6236

Email: info@quectel.com

Or our local office. For more information, please visit:

<http://www.quectel.com/support/salesupport.aspx>

For technical support, or to report documentation errors, please visit:

<http://www.quectel.com/support/techsupport.aspx>

Or email to: Support@quectel.com

GENERAL NOTES

QUECTEL OFFERS THE INFORMATION AS A SERVICE TO ITS CUSTOMERS. THE INFORMATION PROVIDED IS BASED UPON CUSTOMERS' REQUIREMENTS. QUECTEL MAKES EVERY EFFORT TO ENSURE THE QUALITY OF THE INFORMATION IT MAKES AVAILABLE. QUECTEL DOES NOT MAKE ANY WARRANTY AS TO THE INFORMATION CONTAINED HEREIN, AND DOES NOT ACCEPT ANY LIABILITY FOR ANY INJURY, LOSS OR DAMAGE OF ANY KIND INCURRED BY USE OF OR RELIANCE UPON THE INFORMATION. THE INFORMATION SUPPLIED HEREIN IS SUBJECT TO CHANGE WITHOUT PRIOR NOTICE.

COPYRIGHT

THE INFORMATION CONTAINED HERE IS PROPRIETARY TECHNICAL INFORMATION OF QUECTEL CO., LTD. TRANSMITTING, REPRODUCTION, DISSEMINATION AND EDITING OF THIS DOCUMENT AS WELL AS UTILIZATION OF THE CONTENT ARE FORBIDDEN WITHOUT PERMISSION. OFFENDERS WILL BE HELD LIABLE FOR PAYMENT OF DAMAGES. ALL RIGHTS ARE RESERVED IN THE EVENT OF A PATENT GRANT OR REGISTRATION OF A UTILITY MODEL OR DESIGN.

Copyright © Quectel Wireless Solutions Co., Ltd. 2016. All rights reserved.

About the Document

History

Revision	Date	Author	Description
1.0	2016-06-07	Mountain ZHOU/ Frank WANG	Initial

Quectel
Confidential

Contents

About the Document	2
Contents	3
Table Index	5
Figure Index	6
1 Introduction	7
1.1. Safety Information.....	7
2 Product Concept	9
2.1. General Description.....	9
2.2. Description of Product Series.....	10
2.3. Key Features.....	10
2.4. Functional Diagram.....	13
3 Application Interface	14
3.1. General Description.....	14
3.2. EC25 Mini PCIe Interface.....	14
3.2.1. Definition of Interface.....	14
3.2.2. Pin Assignment.....	17
3.3. Power Supply.....	18
3.4. USIM Card Interface.....	19
3.5. USB Interface.....	20
3.6. UART Interface.....	21
3.7. PCM and I2C Interface.....	22
3.8. Control Signals.....	24
3.8.1. RI Signal.....	24
3.8.2. DTR Signal.....	25
3.8.3. W_DISABLE# Signal.....	25
3.8.4. PERST# Signal.....	25
3.8.5. LED_WWAN# Signal.....	26
3.8.6. WAKE# Signal.....	26
3.9. Antenna Interfaces.....	27
4 Electrical and Radio Characteristics	29
4.1. General Description.....	29
4.2. Power Supply Requirements.....	29
4.3. IO Requirements.....	30
4.4. RF Characteristics.....	30
4.5. GNSS Receiver.....	32
4.6. ESD Characteristics.....	33
5 Mechanical Dimensions & Packaging	34
5.1. General Description.....	34
5.2. Mechanical Dimensions of EC25 Mini PCIe.....	34

5.3.	Standard Dimensions of Mini PCI Express	35
5.4.	Packaging Specification.....	36
6	Appendix References	37

Quectel
Confidential

Table Index

TABLE 1: DESCRIPTION OF EC25 MINI PCIE	10
TABLE 2: KEY FEATURES OF EC25 MINI PCIE.....	11
TABLE 3: DEFINITION OF I/O PARAMETERS	14
TABLE 4: DESCRIPTION OF PINS.....	15
TABLE 5: VCC_3V3 AND GND PIN DEFINITION.....	18
TABLE 6: USIM PIN DEFINITION.....	19
TABLE 7: USB PIN DEFINITION	20
TABLE 8: PIN DEFINITION OF THE UART INTERFACE	21
TABLE 9: PCM AND I2C PIN DEFINITION	22
TABLE 10: CONTROL SIGNAL PIN DEFINITION.....	24
TABLE 11: RADIO OPERATIONAL STATES.....	25
TABLE 12: INDICATIONS OF NETWORK STATUS.....	26
TABLE 13: ANTENNA REQUIREMENTS	27
TABLE 14: POWER SUPPLY REQUIREMENTS	29
TABLE 15: IO REQUIREMENTS	30
TABLE 16: CONDUCTED RF OUTPUT POWER.....	30
TABLE 17: CONDUCTED RF RECEIVING SENSITIVITY OF EC25-A MINI PCIE	31
TABLE 18: CONDUCTED RF RECEIVING SENSITIVITY OF EC25-AUT MINI PCIE	31
TABLE 19: CONDUCTED RF RECEIVING SENSITIVITY OF EC25-E MINI PCIE	31
TABLE 20: CONDUCTED RF RECEIVING SENSITIVITY OF EC25-V MINI PCIE	32
TABLE 21: ESD CHARACTERISTICS	33
TABLE 22: RELATED DOCUMENTS	37
TABLE 23: TERMS AND ABBREVIATIONS	37

Figure Index

FIGURE 1: FUNCTIONAL DIAGRAM.....	13
FIGURE 2: PIN ASSIGNMENT	17
FIGURE 3: REFERENCE DESIGN OF POWER SUPPLY	18
FIGURE 4: REFERENCE CIRCUIT FOR A 6-PIN USIM CONNECTOR	19
FIGURE 5: REFERENCE CIRCUIT OF USB INTERFACE.....	20
FIGURE 6: TIMING IN PRIMARY MODE	23
FIGURE 7: TIMING IN AUXILIARY MODE	23
FIGURE 8: REFERENCE CIRCUIT OF PCM APPLICATION WITH AUDIO CODEC	24
FIGURE 9: RI BEHAVIOR.....	25
FIGURE 10: TIMING OF RESETTING MODULE.....	26
FIGURE 11: LED_WWAN# SIGNAL REFERENCE CIRCUIT DIAGRAM.....	26
FIGURE 12: WAKE# BEHAVIOR.....	27
FIGURE 13: DIMENSIONS OF THE U.F.L-R-SMT CONNECTOR (UNIT: MM)	28
FIGURE 14: MECHANICALS OF U.F.L-LP CONNECTORS	28
FIGURE 15: MECHANICAL DIMENSIONS OF EC25 MINI PCIE (UNIT: MM).....	34
FIGURE 16: STANDARD DIMENSIONS OF MINI PCI EXPRESS (UNIT: MM)	35
FIGURE 17: DIMENSIONS OF THE MINI PCI EXPRESS CONNECTOR (UNIT: MM)	36

1 Introduction

This document defines EC25 Mini PCIe module, and describes its hardware interfaces which are connected with your application as well as its air interfaces.

This document can help you to quickly understand the interface specifications, electrical and mechanical details as well as other related information of EC25 Mini PCIe module. To facilitate its application in different fields, relevant reference design documents are also provided. Associated with application notes and user guide of EC25 Mini PCIe module, you can use the module to design and set up mobile applications easily.

1.1. Safety Information

The following safety precautions must be observed during all phases of the operation, such as usage, service or repair of any cellular terminal or mobile incorporating EC25 Mini PCIe module. Manufacturers of the cellular terminal should send the following safety information to users and operating personnel, and incorporate these guidelines into all manuals supplied with the product. If not so, Quectel assumes no liability for customers' failure to comply with these precautions.



Full attention must be given to driving at all times in order to reduce the risk of an accident. Using a mobile while driving (even with a handsfree kit) causes distraction and can lead to an accident. You must comply with laws and regulations restricting the use of wireless devices while driving.



Switch off the cellular terminal or mobile before boarding an aircraft. Make sure it is switched off. The operation of wireless appliances in an aircraft is forbidden, so as to prevent interference with communication systems. Consult the airline staff about the use of wireless devices on boarding the aircraft, if your device offers an Airplane Mode which must be enabled prior to boarding an aircraft.



Switch off your wireless device when in hospitals, clinics or other health care facilities. These requests are designed to prevent possible interference with sensitive medical equipment.



Cellular terminals or mobiles operating over radio frequency signal and cellular network cannot be guaranteed to connect in all conditions, for example no mobile fee or with an invalid SIM card. While you are in this condition and need emergent help, please remember using emergency call. In order to make or receive a call, the cellular terminal or mobile must be switched on and in a service area with adequate cellular signal strength.



Your cellular terminal or mobile contains a transmitter and receiver. When it is ON, it receives and transmits radio frequency energy. RF interference can occur if it is used close to TV set, radio, computer or other electric equipment.



In locations with potentially explosive atmospheres, obey all posted signs to turn off wireless devices such as your phone or other cellular terminals. Areas with potentially explosive atmospheres include fuelling areas, below decks on boats, fuel or chemical transfer or storage facilities, areas where the air contains chemicals or particles such as grain, dust or metal powders, etc.

Quectel
Confidential

2 Product Concept

2.1. General Description

EC25 Mini PCIe module provides data connectivity on FDD-LTE, TDD-LTE, WCDMA and GSM networks with PCI Express Mini Card 1.2 standard interface. It supports embedded operating system such as WinCE, Linux, Android, etc., and also provides audio, high-speed data transmission and GNSS functionalities for your applications.

EC25 Mini PCIe module can be applied in the following fields:

- PDA and Laptop Computer
- Remote Monitor System
- Vehicle System
- Wireless POS System
- Intelligent Meter Reading System
- Wireless Router and Switch
- Other Wireless Terminal Devices

This chapter generally introduces the following aspects of EC25 Mini PCIe module:

- Product Series
- Key Features
- Functional Diagram

NOTE

EC25 Mini PCIe contains **Telematics** version and **Data-Only** version. **Telematics** version supports voice and data functions, while **Data-Only** version only supports data function.

2.2. Description of Product Series

The following table shows the product series of EC25 Mini PCIe module.

Table 1: Description of EC25 Mini PCIe

Product Series	Description
EC25-A Mini PCIe	Support WCDMA: B2/B5 Support LTE FDD: B2/B4/B12 Support LTE/WCDMA receive diversity Support GNSS ¹⁾ Support digital audio ²⁾
EC25-AUT Mini PCIe	Support WCDMA: B1/B5 Support LTE FDD: B1/B3/B5/B7/B28 Support LTE/WCDMA receive diversity Support GNSS ¹⁾ Support digital audio ²⁾
EC25-E Mini PCIe	Support GSM: 900/1800MHz Support WCDMA: B1/B5/B8 Support LTE FDD: B1/B3/B5/B7/B8/B20 Support LTE TDD: B38/B40/B41 Support LTE/WCDMA receive diversity Support GNSS ¹⁾ Support digital audio ²⁾
EC25-V Mini PCIe	Support LTE FDD: B4/B13 Support LTE receive diversity Support GNSS ¹⁾ Support digital audio ²⁾

NOTES

- ¹⁾ GNSS function is optional.
- ²⁾ Digital audio (PCM) function is only supported in **Telematics** version.

2.3. Key Features

The following table describes the detailed features of EC25 Mini PCIe module.

Table 2: Key Features of EC25 Mini PCIe

Feature	Details
Function Interface	PCI Express Mini Card 1.2 Standard Interface
Power Supply	Supply voltage: 3.0~3.6V Typical supply voltage: 3.3V
Transmitting Power	Class 4 (33dBm±2dB) for GSM900 Class 1 (30dBm±2dB) for DCS1800 Class E2 (27dBm±3dB) for GSM900 8-PSK Class E2 (26dBm±3dB) for DCS1800 8-PSK Class 3 (24dBm+1/-3dB) for WCDMA bands Class 3 (23dBm±2dB) for LTE FDD and TDD bands
LTE Features	Support up to non-CA CAT4 Max 150Mbps (DL), Max 50Mbps (UL)
WCDMA Features	Support up to DC-HSPA+ Max 42Mbps (DL), Max 5.76Mbps (UL)
GSM Features	R99: CS data: 9.6k, 14.4kbps GPRS: Support GPRS multi-slot class 12 (12 by default) Coding scheme: CS-1, CS-2, CS-3 and CS-4 Maximum of four Rx time slots per frame EDGE: Support EDGE multi-slot class 12 (12 by default) Support GMSK and 8-PSK for different MCS (Modulation and Coding Scheme) Downlink coding schemes: CS 1-4, MCS 1-9 Uplink coding schemes: CS 1-4, MCS 1-9
Internet Protocol Features	Support TCP/UDP/PPP/FTP ¹⁾ /HTTP ¹⁾ /SMTP ¹⁾ /MMS ¹⁾ /NTP/PING/DTMF ¹⁾ /FILE ¹⁾ /CMUX ¹⁾ /QMI protocols Support the protocols PAP (Password Authentication Protocol) and CHAP (Challenge Handshake Authentication Protocol) usually used for PPP connections
SMS	Text and PDU mode Point to point MO and MT SMS cell broadcast SMS storage: ME by default
USIM Interface	Support USIM/SIM card: 1.8V, 3.0V
UART Interface	Baud rate can reach up to 230400bps, 115200bps by default Used for AT command
Audio Feature ¹⁾	Support one digital audio interface: PCM interface GSM: HR/FR/EFR/AMR/AMR-WB WCDMA: AMR/AMR-WB LTE: AMR/AMR-WB Support echo cancellation and noise suppression

PCM Interface ¹⁾	Support 8-bit A-law, μ -law and 16-bit linear data formats Support long frame sync and short frame sync Support master and slave mode, but must be the master in long frame sync
USB Interface	Compliant with USB 2.0 specification (slave only); the data transfer rate can reach up to 480Mbps Used for AT command communication, data transmission, firmware upgrade, software debugging and GNSS NMEA output USB Driver: Windows XP, Windows Vista, Windows 7, Windows 8/8.1, Window CE 5.0/6.0/7.0, Linux 2.6 or later, Android 2.3/4.0/4.2/4.4/5.0
Antenna Interface	Include main antenna, diversity antenna and GNSS antenna
Rx-diversity	Support LTE/WCDMA Rx-diversity
GNSS Features ¹⁾	IZat Gen 8C of Qualcomm (GPS, GLONASS, BeiDou, Galileo, QZSS) Protocol: NMEA 0183
AT Commands	Compliant with 3GPP TS 27.007, 27.005 and Quectel enhanced AT commands
Physical Characteristics	Size: 51.0 \pm 0.1 \times 30.0 \pm 0.1 \times 4.9 \pm 0.2 mm Weight: approx. 9.8g
Temperature Range	Operation temperature range: -35 $^{\circ}$ C ~ +75 $^{\circ}$ C ²⁾ Extended temperature range: -40 $^{\circ}$ C ~ +85 $^{\circ}$ C ³⁾
Firmware Upgrade	USB interface and DFOTA ¹⁾
RoHS	All hardware components are fully compliant with EU RoHS directive

NOTES

- ¹⁾ These functions are under development.
- ²⁾ Within operating temperature range, the module is 3GPP compliant.
- ³⁾ Within extended temperature range, the module remains the ability to establish and maintain a voice, SMS, data transmission, emergency call, etc. There is no unrecoverable malfunction; there are also no effects on radio spectrum and no harm to radio network. Only one or more parameters like P_{out} might reduce in their value and exceed the specified tolerances. When the temperature returns to normal operating temperature levels, the module is compliant with 3GPP specification again.

2.4. Functional Diagram

The following figure shows the block diagram of EC25 Mini PCIe.

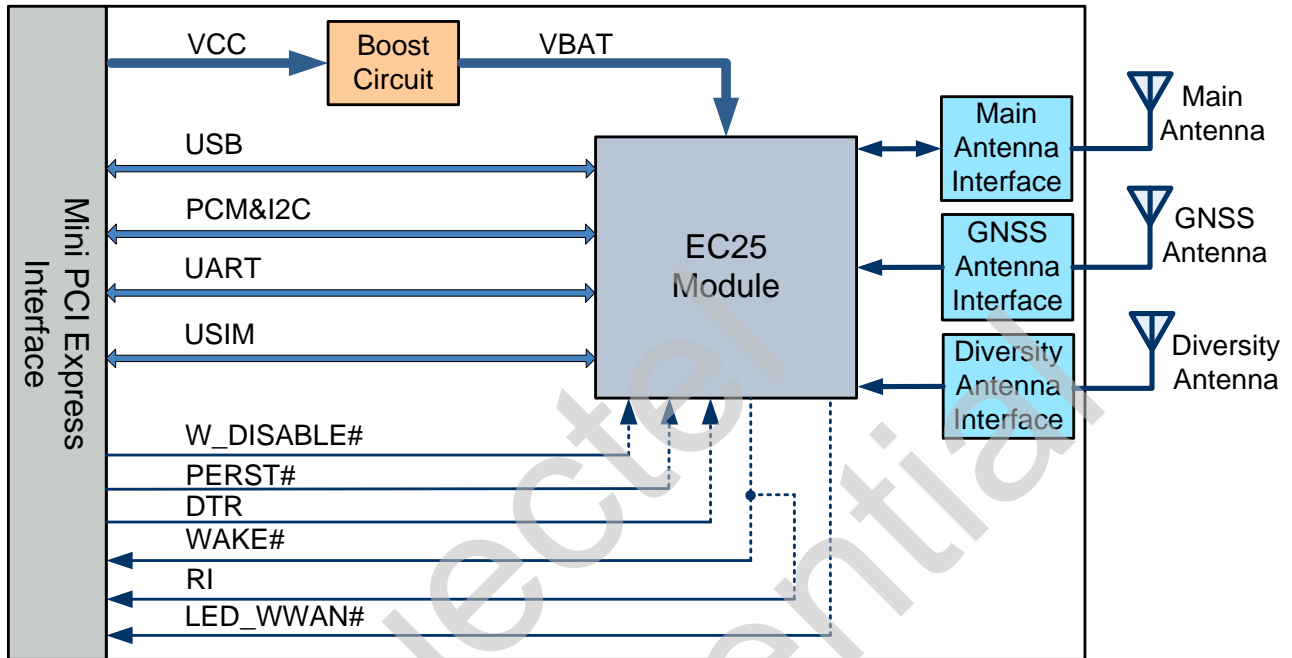


Figure 1: Functional Diagram

3 Application Interface

3.1. General Description

The physical connections and signal levels of EC25 Mini PCIe comply with PCI Express Mini CEM specifications. This chapter mainly describes the following interfaces' definition and application of EC25 Mini PCIe:

- Power supply
- USIM interface
- USB interface
- UART interface
- PCM&I2C interface
- Control signals
- Antenna interface

3.2. EC25 Mini PCIe Interface

3.2.1. Definition of Interface

The following tables show the pin definition and pin assignment of EC25 Mini PCIe on the 52-pin application.

Table 3: Definition of I/O Parameters

Type	Description
IO	Bidirectional input/output
DI	Digital input
DO	Digital output
OC	Open collector
PI	Power input

PO Power output

Table 4: Description of Pins

Pin No.	Mini PCI Express Standard Name	EC25 Mini PCIe Pin Name	I/O	Description	Comment
1	WAKE#	WAKE#	OC	Output signal can be used to wake up the host.	
2	3.3Vaux	VCC_3V3	PI	3.3V DC supply	
3	COEX1	RESERVED	—	Reserved	
4	GND	GND		Mini Card ground	
5	COEX2	RESERVED	—	Reserved	
6	1.5V	NC	—	—	
7	CLKREQ#	RESERVED	—	Reserved	
8	UIM_PWR	USIM_VDD	PO	Power source for the USIM/SIM card	
9	GND	GND		Mini Card ground	
10	UIM_DATA	USIM_DATA	IO	USIM/SIM data signal	
11	REFCLK-	UART_RX	DI	UART receive data	Connect to DTE's TX
12	UIM_CLK	USIM_CLK	DO	USIM/SIM clock signal	
13	REFCLK+	UART_TX	DO	UART transmit data	Connect to DTE's RX
14	UIM_RESET	USIM_RST	DO	USIM/SIM reset signal	
15	GND	GND		Mini Card ground	
16	UIM_VPP	RESERVED	—	Reserved	
17	RESERVED	RI	DO	Output signal can be used to wake up the host.	
18	GND	GND		Mini Card ground	
19	RESERVED	RESERVED	—	Reserved	
20	W_DISABLE#	W_DISABLE#	DI	Disable wireless communications	Pull-up, Active low
21	GND	GND		Mini Card ground	
22	PERST#	PERST#	DI	Functional reset to the card	Active low

23	PERn0	UART_CTS	DI	UART clear to send	Connect to DTE's RTS
24	3.3Vaux	RESERVED	—	Reserved	
25	PERp0	UART_RTS	DO	UART request to send	Connect to DTE's CTS
26	GND	GND		Mini Card ground	
27	GND	GND		Mini Card ground	
28	1.5V	NC	—	—	
29	GND	GND		Mini Card ground	
30	SMB_CLK	I2C_SCL	DO	I2C serial clock	Require external pull-up to 1.8V
31	PETn0	DTR	DI	Sleep mode control	
32	SMB_DATA	I2C_SDA	IO	I2C serial data	Require external pull-up to 1.8V
33	PETp0	RESERVED	—	Reserved	
34	GND	GND		Mini Card ground	
35	GND	GND		Mini Card ground	
36	USB_D-	USB_DM	IO	USB differential data (-)	
37	GND	GND		Mini Card ground	
38	USB_D+	USB_DP	IO	USB differential data (+)	
39	3.3Vaux	VCC_3V3	PI	3.3V DC supply	
40	GND	GND		Mini Card ground	
41	3.3Vaux	VCC_3V3	PI	3.3V DC supply	
42	LED_WWAN#	LED_WWAN#	OC	Active-low LED signal for indicating the state of the card	
43	GND	GND		Mini Card ground	
44	LED_WLAN#	RESERVED	—	Reserved	
45	RESERVED	PCM_CLK*	IO	PCM clock signal	

46	LED_WPAN#	RESERVED	—	Reserved
47	RESERVED	PCM_DOUT*	DO	PCM data output
48	1.5V	NC	—	—
49	RESERVED	PCM_DIN*	DI	PCM data input
50	GND	GND		Mini Card ground
51	RESERVED	PCM_SYNC*	IO	PCM frame sync
52	3.3Vaux	VCC_3V3	PI	3.3V DC supply

NOTES

1. Keep all NC, reserved and unused pins unconnected.
2. "*" means the digital audio (PCM) function is only supported on **Telematics** version.

3.2.2. Pin Assignment

The following figure shows the pin assignment of EC25 Mini PCIe module. The top side contains EC25 module and antenna connectors.

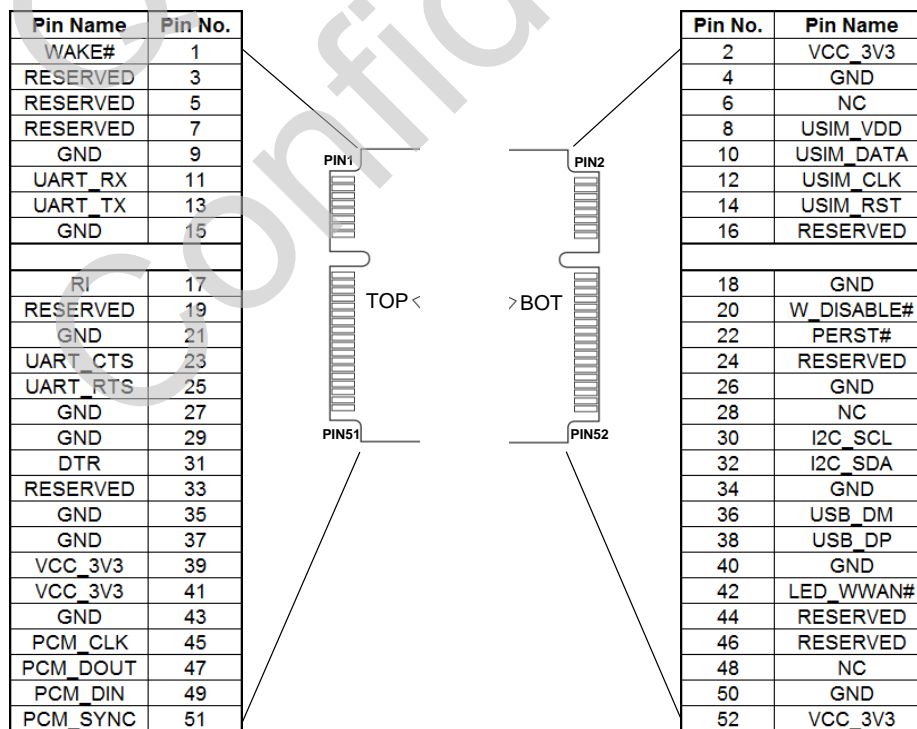


Figure 2: Pin Assignment

3.3. Power Supply

The following table shows pin definition of VCC_3V3 pins and ground pins.

Table 5: VCC_3V3 and GND Pin Definition

Pin No.	Pin Name	I/O	Power Domain	Description
2, 39, 41, 52	VCC_3V3	PI	3.0~3.6V	3.3V DC supply
4, 9, 15, 18, 21, 26, 27, 29, 34, 35, 37, 40, 43, 50	GND			Mini Card ground

The typical supply voltage of EC25 Mini PCIe is 3.3V. In the 2G networks, the input peak current may reach to 2.7A during the transmitting time. Therefore, the power supply must be able to provide enough current, and a bypass capacitor of no less than 470μF with low ESR should be used to prevent the voltage from dropping.

The following figure shows a reference design of power supply. The precision of resistor R2 and R3 is 1%, and the capacitor C3 needs a low ESR.

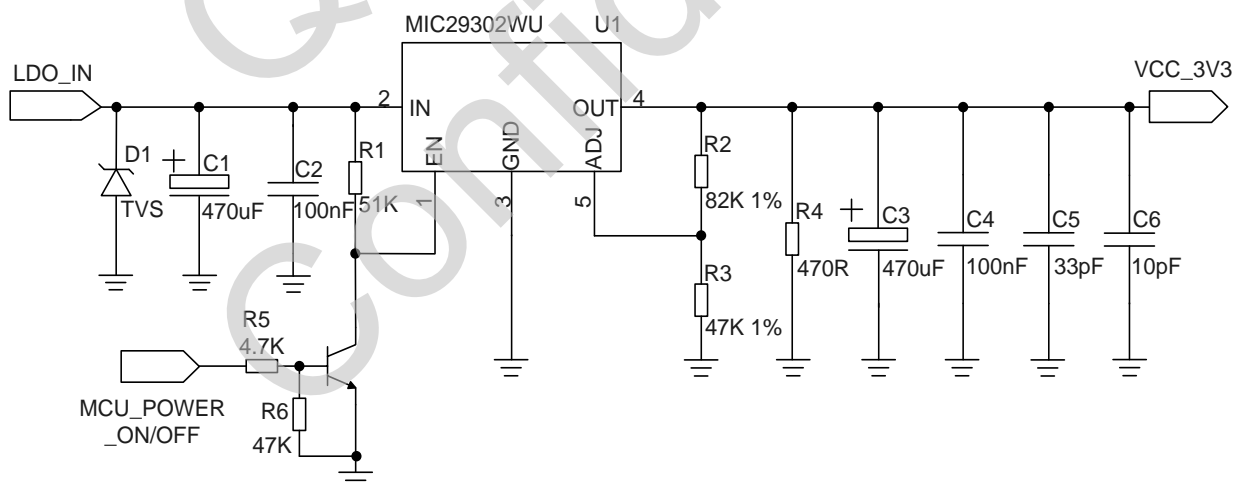


Figure 3: Reference Design of Power Supply

3.4. USIM Card Interface

The following table shows the pin definition of the USIM card interface.

Table 6: USIM Pin Definition

Pin No.	Pin Name	I/O	Power Domain	Description
8	USIM_VDD	PO	1.8V/3.0V	Power source for the USIM/SIM card
10	USIM_DATA	IO	1.8V/3.0V	USIM/SIM data signal
12	USIM_CLK	DO	1.8V/3.0V	USIM/SIM clock signal
14	USIM_RST	DO	1.8V/3.0V	USIM/SIM reset signal

EC25 Mini PCIe supports 1.8V and 3.0V USIM cards. The following figure shows a reference design for a 6-pin USIM connector.

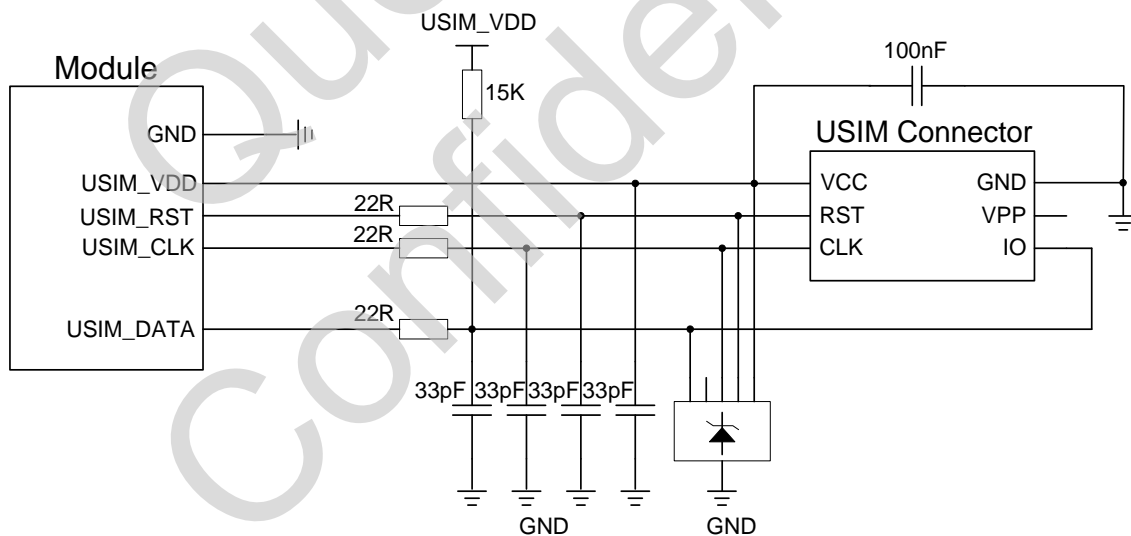


Figure 4: Reference Circuit for a 6-Pin USIM Connector

In order to enhance the reliability and availability of the USIM card in your application, please follow the criteria below in the USIM circuit design:

- Keep layout of USIM card as close to the module as possible. Keep the trace length as less than 200mm as possible.
- Keep USIM card signal away from RF and power supply alignment.
- Keep the width of ground and USIM_VDD no less than 0.5mm to maintain the same electric potential. The decouple capacitor of USIM_VDD should be less than 1uF and must near to USIM connector.

- To avoid cross-talk between USIM_DATA and USIM_CLK, keep them away from each other and shield them with surrounded ground.
- In order to offer good ESD protection, it is recommended to add a TVS whose parasitic capacitance should be not more than 50pF. The 22ohm resistors should be added in series between the module and the USIM card so as to suppress the EMI spurious transmission and enhance the ESD protection. The 33pF capacitors are used for filtering interference of GSM900. Please note that the USIM peripheral circuit should be close to the USIM connector.
- The pull-up resistor on USIM_DATA line can improve anti-jamming capability when long layout trace and sensitive occasion are applied, and should be placed close to the connector.

3.5. USB Interface

The following table shows the pin definition of USB interface.

Table 7: USB Pin Definition

Pin No.	Pin Name	I/O	Description	Comment
36	USB_DM	IO	USB differential data (-)	Require differential impedance of 90Ω
38	USB_DP	IO	USB differential data (+)	Require differential impedance of 90Ω

EC25 Mini PCIe is compliant with USB 2.0 specification. It can only be used as a slave device. Meanwhile, it supports high speed (480Mbps) mode and full speed (12Mbps) mode. The USB interface is used for AT command communication, data transmission, GNSS NMEA output, software debugging and firmware upgrade. The following figure shows a reference circuit of USB interface.

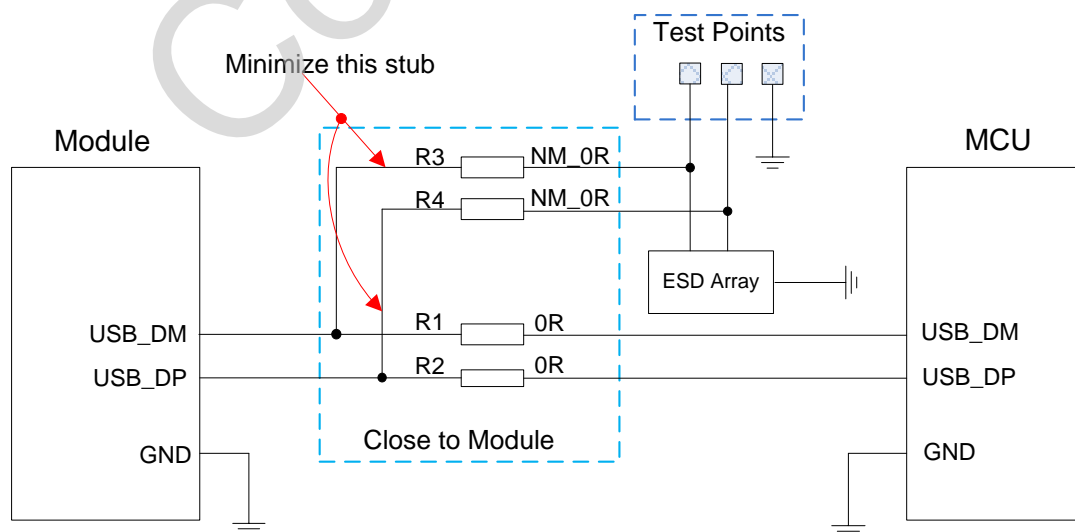


Figure 5: Reference Circuit of USB Interface

The component R1, R2, R3 and R4 must be placed close to module, and then these resistors should be placed close to each other. The extra stubs of trace must be as short as possible.

In order to ensure the USB interface design corresponding with the USB 2.0 specification, please comply with the following principles:

- It is important to route the USB signal traces as differential pairs with total grounding. The impedance of USB differential trace is 90ohm.
- Do not route signal traces under crystals, oscillators, magnetic devices or RF signal traces. It is important to route the USB differential traces in inner-layer with ground shielding, and not only upper and lower layer but also right and left side should be shielded.
- If you use the USB connector, you should keep the ESD components as close to the USB connector as possible. Pay attention to the influence of junction capacitance of ESD component on USB data lines. Typically, the capacitance value should be less than 1pF.
- Keep USB data test points traces short to avoid noise coupled on USB data lines. If possible, reserve 0R resistor on these two lines.

NOTES

There are three preconditions when enabling EC25 Mini PCIe to enter into the sleep mode:

1. Execute AT command **AT+QSCLK=1** to enable the sleep mode. Refer to **document [2]**.
2. DTR pin should be kept in high level (pull-up internally).
3. USB interface on Mini PCIe must be connected with your USB interface and please guarantee USB devices are in the suspended state.

3.6. UART Interface

The following table shows the pin definition of the UART interface.

Table 8: Pin Definition of the UART Interface

Pin No.	EC25 Mini PCIe Pin Name	I/O	Power Domain	Description
11	UART_RX	DI	3.3V	UART receive data
13	UART_TX	DO	3.3V	UART transmit data
23	UART_CTS	DI	3.3V	UART clear to send
25	UART_RTS	DO	3.3V	UART request to send

The UART interface supports 9600, 19200, 38400, 57600, 115200 and 230400bps baud rate. The default

is 115200bps. This interface can be used for AT command communication.

NOTE

AT command **AT+IPR** is used to set the baud rate of the UART, and AT command **AT+IFC** is used to set the hardware flow control (hardware flow control is disabled by default). Please refer to **document [2]** for details.

3.7. PCM and I2C Interface

The following table shows the pin definition of PCM interface that can be applied in audio codec design.

Table 9: PCM and I2C Pin Definition

Pin No.	Pin Name	I/O	Power Domain	Description
45	PCM_CLK	IO	1.8V	PCM clock signal
47	PCM_DOUT	DO	1.8V	PCM data output
49	PCM_DIN	DI	1.8V	PCM data input
51	PCM_SYNC	IO	1.8V	PCM frame sync
30	I2C_SCL	DO	1.8V	I2C serial clock, require external pull-up to 1.8V
32	I2C_SDA	IO	1.8V	I2C serial data, require external pull-up to 1.8V

EC25 Mini PCIe provides one PCM digital interface, which supports 8-bit A-law and μ -law, 16-bit linear data formats and the following modes:

- Primary mode (short sync, works as either master or slave)
- Auxiliary mode (long sync, works as master only)

In primary mode, the data is sampled on the falling edge of the PCM_CLK and transmitted on the rising edge; the PCM_SYNC falling edge represents the MSB. In this mode, PCM_CLK supports 128, 256, 512, 1024 and 2048kHz for different speed codecs. The following figure shows the timing relationship in primary mode with 8kHz PCM_SYNC and 2048kHz PCM_CLK.

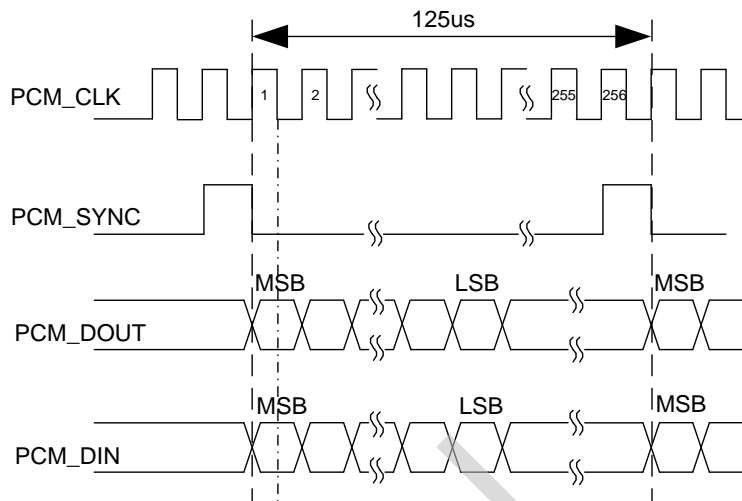


Figure 6: Timing in Primary Mode

In auxiliary mode, the data is sampled on the falling edge of the PCM_CLK and transmitted on the rising edge; while the PCM_SYNC rising edge represents the MSB. In this mode, PCM interface operates with a 128kHz PCM_CLK and an 8kHz, 50% duty cycle PCM_SYNC only. The following figure shows the timing relationship in auxiliary mode with 8kHz PCM_SYNC and 128kHz PCM_CLK.

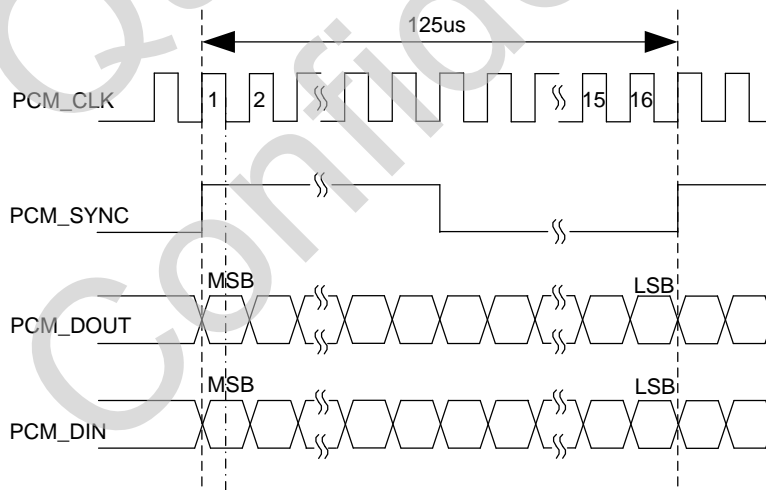


Figure 7: Timing in Auxiliary Mode

Clock and mode can be configured by AT command, and the default configuration is master mode using short sync data format with 2048kHz PCM_CLK and 8kHz PCM_SYNC. In addition, EC25 Mini PCIe's firmware has integrated the configuration on some PCM codec's application with I2C interface. Refer to **document [2]** for details about the command **AT+QDAI**.

The following figure shows a reference design of PCM interface with an external codec IC.

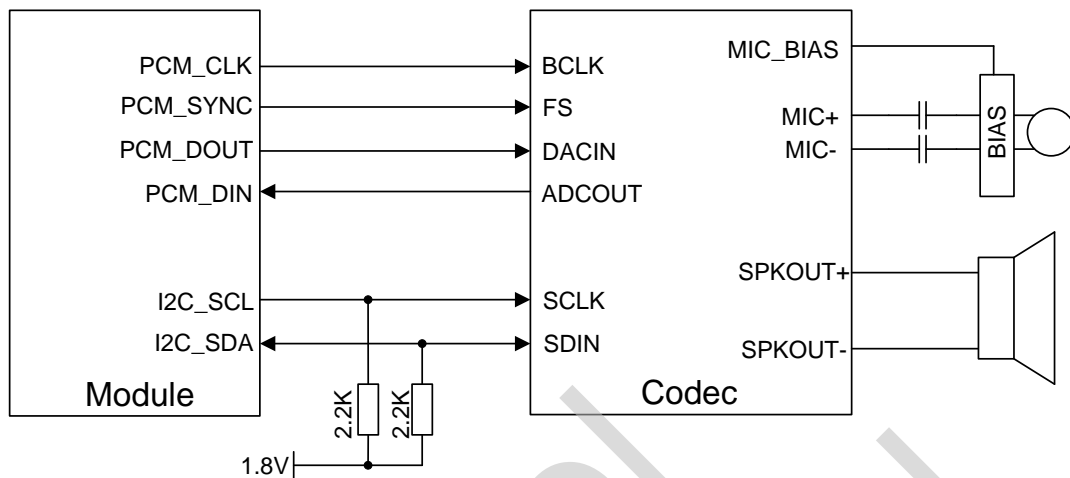


Figure 8: Reference Circuit of PCM Application with Audio Codec

3.8. Control Signals

The following table shows the pin definition of control signals.

Table 10: Control Signal Pin Definition

Pin No.	Pin Name	I/O	Power Domain	Description
17	RI	DO	3.3V	Output signal can be used to wake up the host.
31	DTR	DI	3.3V	Sleep mode control.
20	W_DISABLE#	DI	3.3V	Disable wireless communications; pull-up by default, active low.
22	PERST#	DI	3.3V	Functional reset to the card; active low.
42	LED_WWAN#	OC	—	Active-low LED signal for indicating the state of the module.
1	WAKE#	OC	—	Output signal can be used to wake up the host.

3.8.1. RI Signal

The RI signal can be used to wake up the host. When URC returns, there will be the following behavior on the RI pin after executing AT command **AT+QCFG="risignaltpe", "physical"**.

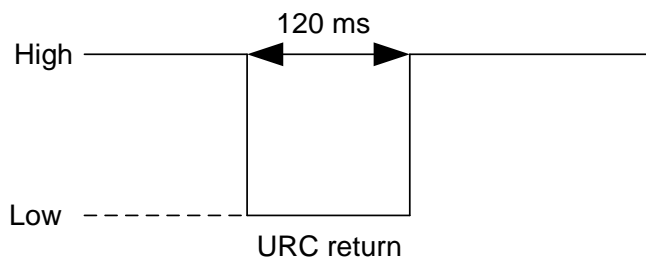


Figure 9: RI Behavior

3.8.2. DTR Signal

The DTR signal supports sleep control function. Drive it to low level will wake up the module. AT command **AT+QCFG="pwrsavedtr",0** is used to disable the sleep control function.

3.8.3. W_DISABLE# Signal

EC25 Mini PCIe provides W_DISABLE# signal to disable wireless communications through hardware operation. The following table shows the radio operational states of module. Please refer to **document [2]** for related AT commands.

Table 11: Radio Operational States

W_DISABLE#	AT Commands	Radio Operation
High Level	AT+CFUN=1	Enabled
High Level	AT+CFUN=0	Disabled
	AT+CFUN=4	
Low Level	AT+CFUN=0	Disabled
	AT+CFUN=1	
	AT+CFUN=4	

3.8.4. PERST# Signal

The PERST# signal can be used to force a hardware reset on the card. You can reset the module by driving the PERST# to a low level voltage with the time frame of 150~460ms and then releasing it. The reset scenario is illustrated in the following figure.

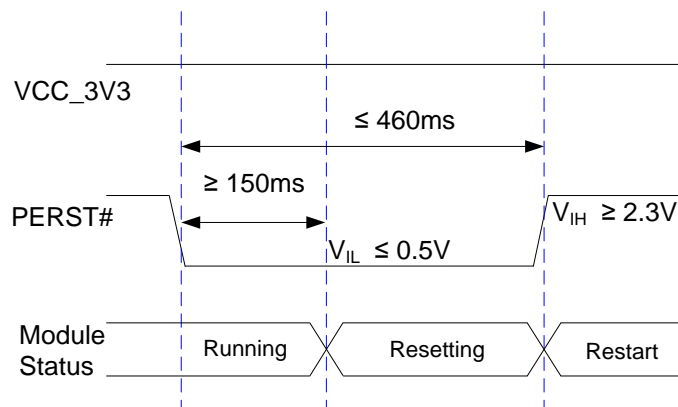


Figure 10: Timing of Resetting Module

3.8.5. LED_WWAN# Signal

The LED_WWAN# signal of EC25 Mini PCIe is used to indicate the network status of the module, which can absorb the current up to 40mA. According to the following circuit, in order to reduce the current of the LED, a resistor must be placed in series with the LED. The LED is emitting light when the LED_WWAN# output signal is active low.

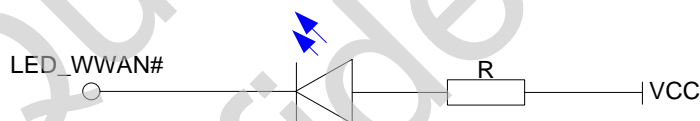


Figure 11: LED_WWAN# Signal Reference Circuit Diagram

The following table shows the indications of network status of the LED_WWAN# signal.

Table 12: Indications of Network Status

LED_WWAN#	Description
Low Level (Light on)	Registered on network
High-impedance (Light off)	<ul style="list-style-type: none"> ● No network coverage or not registered ● W_DISABLE# signal is in low level. (Disable the RF) ● AT+CFUN=0, AT+CFUN=4

3.8.6. WAKE# Signal

The WAKE# signal is an open collector signal which is similar to RI signal. But a host pull-up resistor and

AT command **AT+QCFG="risignalttype","physical"** are required. When URC returns, there will be 120ms low level pulse output as below.

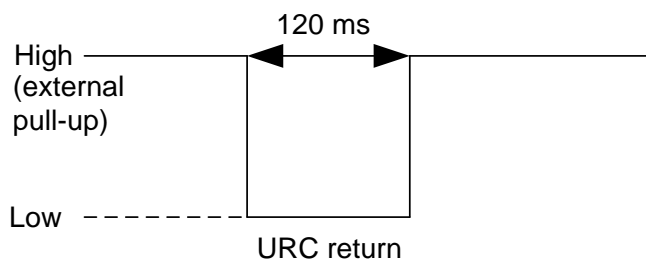


Figure 12: WAKE# Behavior

3.9. Antenna Interfaces

EC25 Mini PCIe antenna interfaces include a main antenna interface, a Rx-diversity antenna interface and a GNSS antenna interface.

Rx-diversity function is enabled by default. Use the AT command **AT+QCFG="diversity",0** can disable receive diversity.

The following table shows the requirement on main antenna, Rx-diversity antenna and GNSS antenna.

Table 13: Antenna Requirements

Type	Requirements
GNSS	Frequency range: 1561 - 1615MHz Polarization: RHCP or linear VSWR: < 2 (Typ.) Passive antenna gain: > 0dBi
GSM/WCDMA/LTE	VSWR: ≤ 2 Gain (dBi): 1 Max Input Power (W): 50 Input Impedance (ohm): 50 Polarization Type: Vertical Cable Insertion Loss: < 1dB (GSM900, WCDMA B5/B8, LTE B5/B8/B12/B17/ B20) Cable Insertion Loss: < 1.5dB (GSM1800, WCDMA B1/B2/B3/B4, LTE B1/B2/B3/B4) Cable insertion loss < 2dB

(LTE B7/B38/B40/B41)

The following figure shows the overall sizes of RF connector.

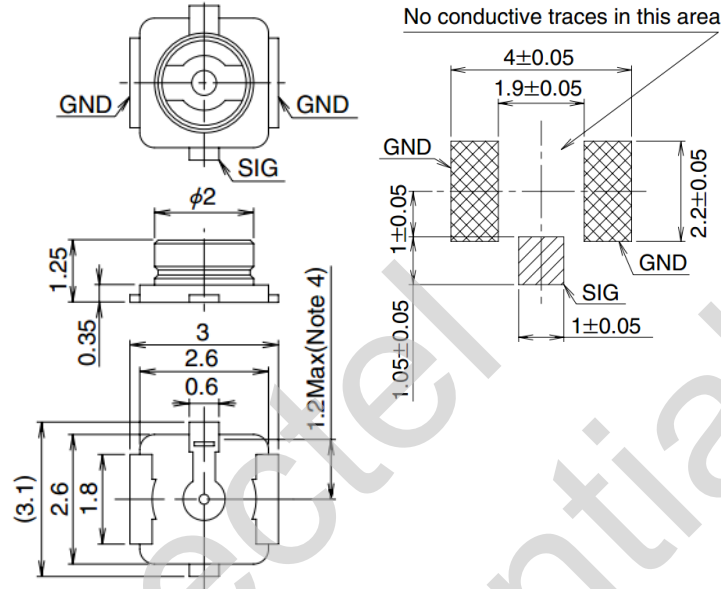


Figure 13: Dimensions of the RF Connector (Unit: mm)

You can use U.FL-LP serial connectors listed in the following figure to match the RF connector.

	U.FL-LP-040	U.FL-LP-066	U.FL-LP(V)-040	U.FL-LP-062	U.FL-LP-088
Part No.					
Mated Height	2.5mm Max. (2.4mm Nom.)	2.5mm Max. (2.4mm Nom.)	2.0mm Max. (1.9mm Nom.)	2.4mm Max. (2.3mm Nom.)	2.4mm Max. (2.3mm Nom.)
Applicable cable	Dia. 0.81mm Coaxial cable	Dia. 1.13mm and Dia. 1.32mm Coaxial cable	Dia. 0.81mm Coaxial cable	Dia. 1mm Coaxial cable	Dia. 1.37mm Coaxial cable
Weight (mg)	53.7	59.1	34.8	45.5	71.7
RoHS	YES				

Figure 14: Mechanicals of U.FL-LP Connectors

4 Electrical and Radio Characteristics

4.1. General Description

This chapter mainly describes the following electrical and radio characteristics of EC25 Mini PCIe:

- Power supply requirements
- IO requirements
- Current consumption
- RF characteristics
- GNSS receiver
- ESD characteristics

4.2. Power Supply Requirements

The input voltage of EC25 Mini PCIe is $3.3V \pm 9\%$, as specified by PCI Express Mini CEM Specifications 1.2. The following table shows the power supply requirements of EC25 Mini PCIe.

Table 14: Power Supply Requirements

Parameter	Description	Min.	Typ.	Max.	Unit
VCC_3V3	Power Supply	3.0	3.3	3.6	V

4.3. IO Requirements

The following table shows the IO requirements of EC25 Mini PCIe.

Table 15: IO Requirements

Parameter	Description	Min.	Max.	Unit
V _{IH}	Input High Voltage	0.7 x VCC_3V3	VCC_3V3+0.3	V
V _{IL}	Input Low Voltage	-0.3	0.3 x VCC_3V3	V
V _{OH}	Output High Voltage	VCC_3V3-0.5	VCC_3V3	V
V _{OL}	Output Low Voltage	0	0.4	V

NOTES

1. The PCM and I2C interface belongs to 1.8V power domain, and other IO interfaces belong to VCC_3V3 power domain.
2. The maximum value of V_{IL} for PERST# signal and W_DISABLE# signal is 0.5V.

4.4. RF Characteristics

The following tables show the output power and receiving sensitivity of conducted RF of EC25 Mini PCIe module.

Table 16: Conducted RF Output Power

Frequency	Max.	Min.
GSM900	33dBm±2dB	5dBm±5dB
DCS1800	30dBm±2dB	0dBm±5dB
GSM900 (8-PSK)	27dBm±3dB	5dBm±5dB
DCS1800 (8-PSK)	26dBm±3dB	0dBm±5dB
WCDMA bands	24dBm+1/-3dB	<-50dBm
LTE FDD bands	23dBm±2dB	<-44dBm

LTE TDD bands 23dBm±2dB <-44dBm

Table 17: Conducted RF Receiving Sensitivity of EC25-A Mini PCIe

Frequency	Primary	Diversity	SIMO	3GPP (SIMO)
WCDMA B2	-110dBm	NA	NA	-104.7dBm
WCDMA B4	-110dBm	NA	NA	-106.7dBm
WCDMA B5	-110.5dBm	NA	NA	-104.7dBm
LTE FDD B2 (10M)	-98dBm	-98dBm	-101dBm	-94.3dBm
LTE FDD B4 (10M)	-97.5dBm	-99dBm	-101dBm	-96.3dBm
LTE FDD B12 (10M)	-94.5dBm	-98dBm	-101dBm	-93.3dBm

Table 18: Conducted RF Receiving Sensitivity of EC25-AUT Mini PCIe

Frequency	Primary	Diversity	SIMO	3GPP (SIMO)
WCDMA B1	-110dBm	NA	NA	-106.7dBm
WCDMA B5	-110.5dBm	NA	NA	-104.7dBm
LTE FDD B1 (10M)	-98.5dBm	-98dBm	-101dBm	-96.3dBm
LTE FDD B3 (10M)	-98dBm	-96dBm	-100dBm	-93.3dBm
LTE FDD B5 (10M)	-98dBm	-99dBm	-102.5dBm	-94.3dBm
LTE FDD B7 (10M)	-97dBm	-95dBm	-98.5dBm	-94.3dBm
LTE FDD B28 (10M)	-97dBm	-99dBm	-102dBm	-93.3dBm

Table 19: Conducted RF Receiving Sensitivity of EC25-E Mini PCIe

Frequency	Primary	Diversity	SIMO	3GPP (SIMO)
GSM	-109dBm	NA	NA	-102dBm
DCS	-109dBm	NA	NA	-102dBm

WCDMA Band1	-110.5dBm	NA	NA	-106.7dBm
WCDMA Band5	-110.5dBm	NA	NA	-104.7dBm
WCDMA Band8	-110.5dBm	NA	NA	-103.7dBm
LTE-FDD B1 (10M)	-98dBm	-98dBm	-101.5dBm	-96.3dBm
LTE-FDD B3 (10M)	-96.5dBm	-98.5dBm	-101.5dBm	-93.3dBm
LTE-FDD B5 (10M)	-98dBm	-98.5dBm	-101dBm	-94.3dBm
LTE-FDD B7 (10M)	-97dBm	-94.5dBm	-99.5dBm	-94.3dBm
LTE-FDD B8 (10M)	-97dBm	-97dBm	-101dBm	-93.3dBm
LTE-FDD B20 (10M)	-97.5dBm	-99dBm	-102.5dBm	-93.3dBm
LTE-TDD B38 (10M)	-97 dBm	-97dBm	-100dBm	-96.3dBm
LTE-TDD 40 (10M)	-96.3dBm	-98dBm	-101dBm	-96.3dBm
LTE-TDD 41 (10M)	-95.2dBm	-95dBm	-99dBm	-94.3dBm

Table 20: Conducted RF Receiving Sensitivity of EC25-V Mini PCIe

Frequency	Primary	Diversity	SIMO	3GPP (SIMO)
LTE FDD B4 (10M)	-97.5dBm	-99dBm	-101dBm	-96.3dBm
LTE FDD B13 (10M)	-95dBm	-97dBm	-100dBm	-93.3dBm

4.5. GNSS Receiver

EC25 Mini PCIe integrates a GNSS receiver that supports IZat Gen 8C of Qualcomm (GPS, GLONASS, BeiDou, Galileo, QZSS). Also, it supports Qualcomm gpsOneXTRA technology (one kind of A-GNSS). This technology will download XTRA file from the internet server to enhance the TTFF. XTRA file contains predicted GPS and GLONASS satellites coordinates and clock biases valid for up to 7 days. It is best if XTRA file is downloaded every 1-2 days. Additionally, EC25 Mini PCIe can support standard NMEA-0183 protocol and output NMEA messages with 1Hz via USB NMEA interface.

EC25 Mini PCIe GNSS engine is switched off by default. You must switch on it by AT command. Please refer to **document [3]** for more details about GNSS engine technology and configurations. The GNSS engine should use a passive antenna.

4.6. ESD Characteristics

The following table shows the ESD characteristics of EC25 Mini PCIe.

Table 21: ESD Characteristics

Part	Contact Discharge	Air Discharge	Unit
Power Supply and GND	+/-5	+/-10	kV
Antenna Interface	+/-4	+/-8	kV
USB Interface	+/-4	+/-8	kV
USIM Interface	+/-4	+/-8	kV
Others	+/-0.5	+/-1	kV

Quectel
Confidential

5 Dimensions and Packaging

5.1. General Description

This chapter mainly describes the following dimensions as well as the packaging specification of EC25 Mini PCIe:

- Mechanical Dimensions of EC25 Mini PCIe
- Standard Dimensions of Mini PCI Express

5.2. Mechanical Dimensions of EC25 Mini PCIe

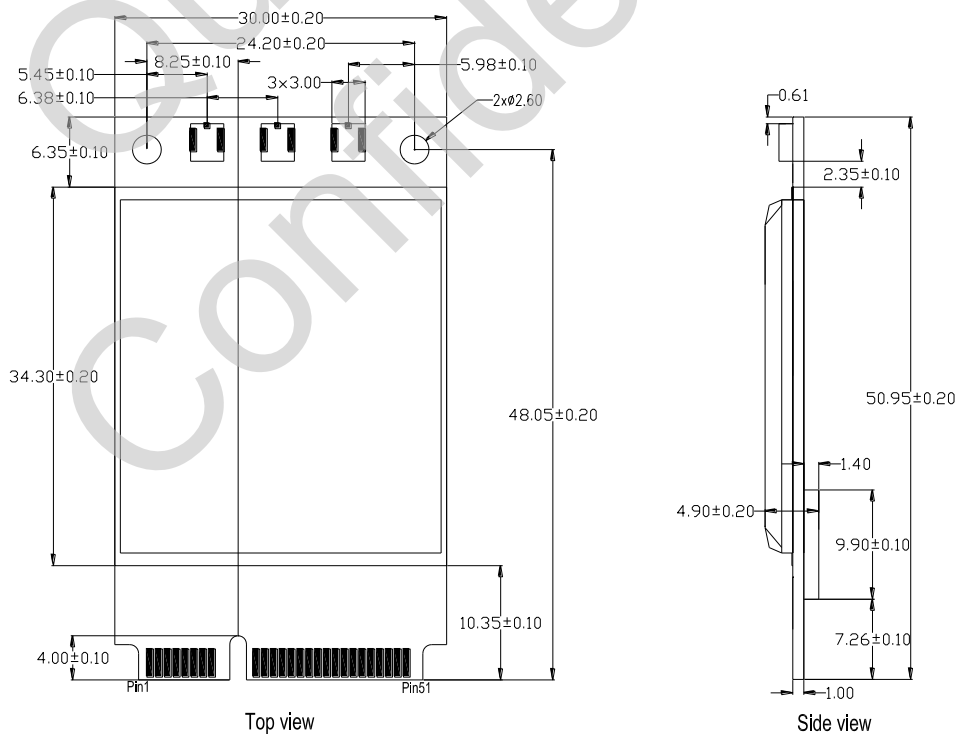


Figure 15: Mechanical Dimensions of EC25 Mini PCIe (Unit: mm)

5.3. Standard Dimensions of Mini PCI Express

The following figure shows the standard dimensions of Mini PCI Express. Please refer to *document [1]* for detailed A and B.

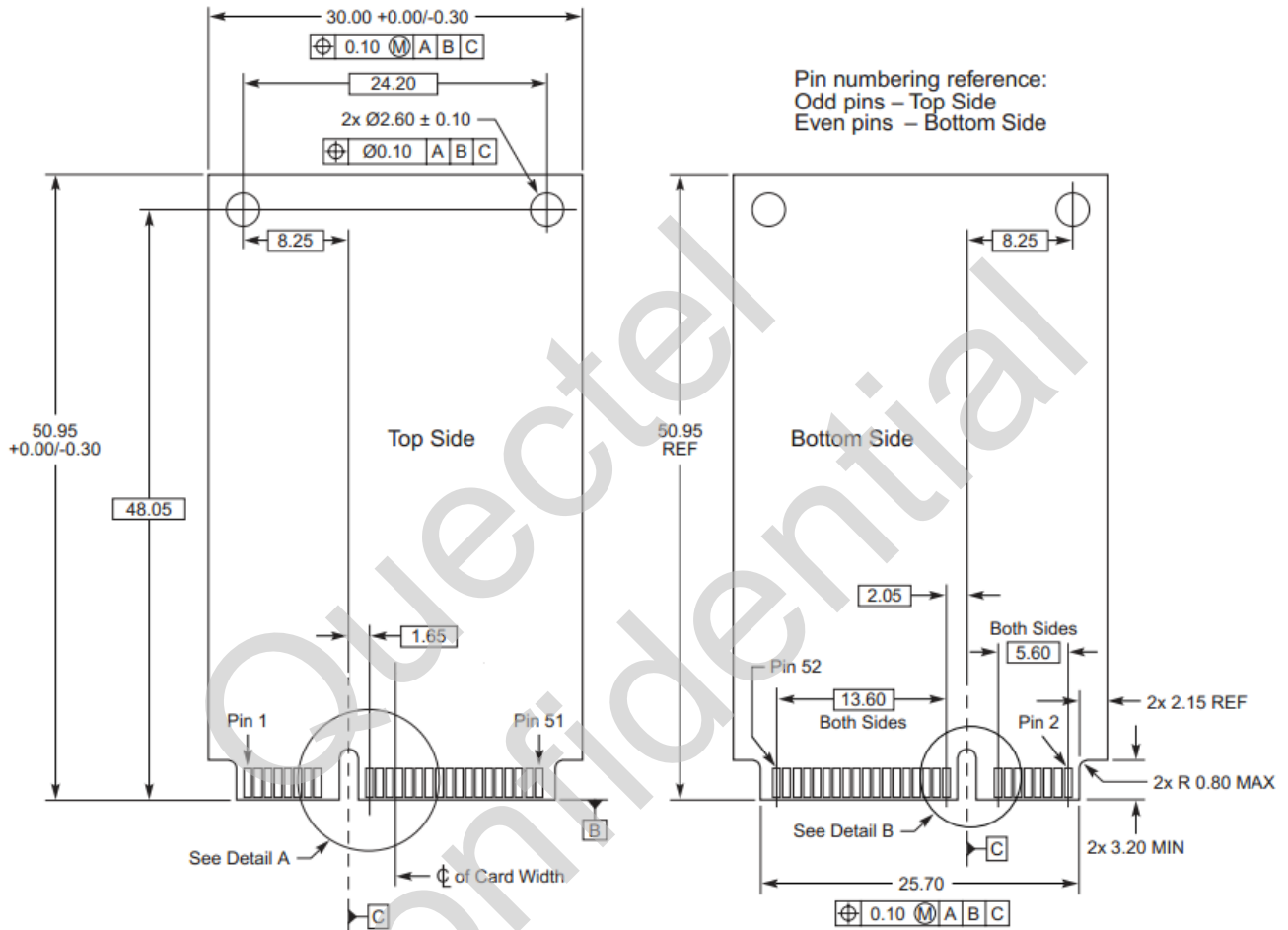


Figure 16: Standard Dimensions of Mini PCI Express (Unit: mm)

EC25 Mini PCIe adopts a standard Mini PCI Express connector which compiles with the directives and standards listed in the **document [1]**. The following figure takes the Molex 679100002 as an example.

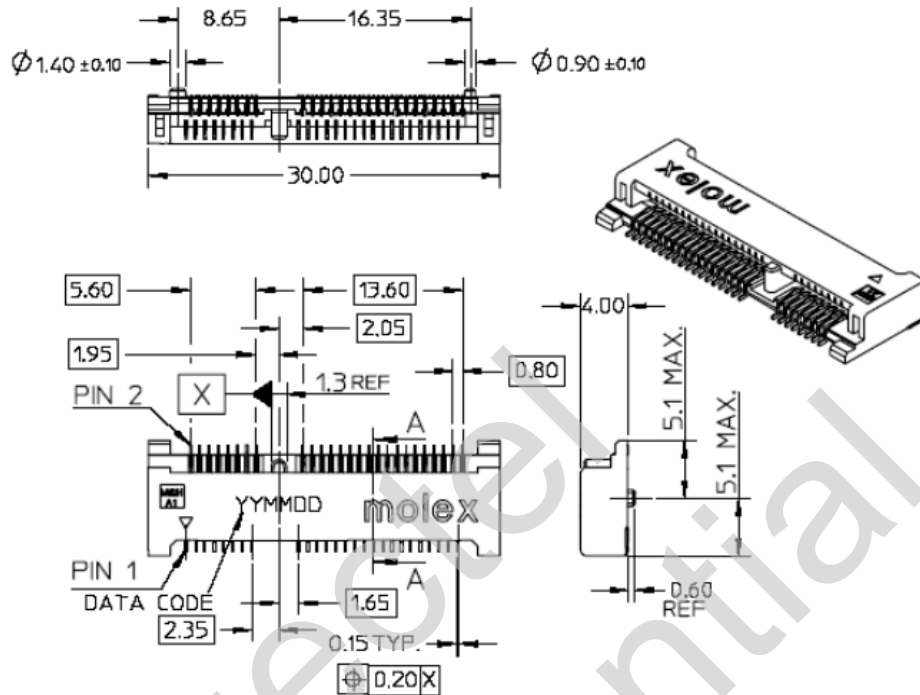


Figure 17: Dimensions of the Mini PCI Express Connector (Unit: mm)

5.4. Packaging Specification

The EC25 Mini PCIe is packaged in a tray. Each tray contains 10pcs of modules. The smallest package of EC25 Mini PCIe contains 100pcs.

6 Appendix References

Table 22: Related Documents

SN	Document Name	Remark
[1]	PCI Express Mini Card Electromechanical Specification Revision 1.2	Mini PCI Express Specification
[2]	Quectel_EC25_AT_Commands_Manual	EC25 AT Commands Manual
[3]	Quectel_EC25_GNSS_AT_Commands_Manual	EC25 GNSS AT Commands Manual

Table 23: Terms and Abbreviations

Abbreviation	Description
AMR	Adaptive Multi-rate
bps	Bits Per Second
CS	Coding Scheme
DC-HSPA+	Dual-carrier High Speed Packet Access
DFOTA	Delta Firmware Upgrade Over The Air
DL	Down Link
EFR	Enhanced Full Rate
ESD	Electrostatic Discharge
FDD	Frequency Division Duplexing
FR	Full Rate
GLONASS	GLObalnaya Navigatsionnaya Sputnikovaya Sistema, the Russian Global Navigation Satellite System
GMSK	Gaussian Minimum Shift Keying

GNSS	Global Navigation Satellite System
GPS	Global Positioning System
GSM	Global System for Mobile Communications
HR	Half Rate
kbps	Kilo Bits Per Second
LED	Light Emitting Diode
LTE	Long-Term Evolution
Mbps	Million Bits Per Second
ME	Mobile Equipment (Module)
MIMO	Multiple-Input Multiple-Output
MMS	Multimedia Messaging Service
MO	Mobile Originated
MT	Mobile Terminated
PCM	Pulse Code Modulation
PDU	Protocol Data Unit
PPP	Point-to-Point Protocol
RF	Radio Frequency
Rx	Receive
USIM	Universal Subscriber Identification Module
SIMO	Single Input Multiple Output
SMS	Short Message Service
UART	Universal Asynchronous Receiver & Transmitter
UL	Up Link
URC	Unsolicited Result Code
WCDMA	Wideband Code Division Multiple Access