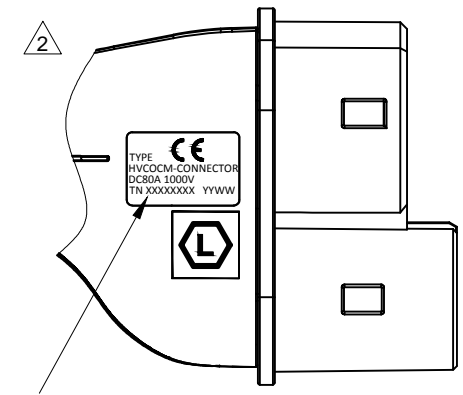
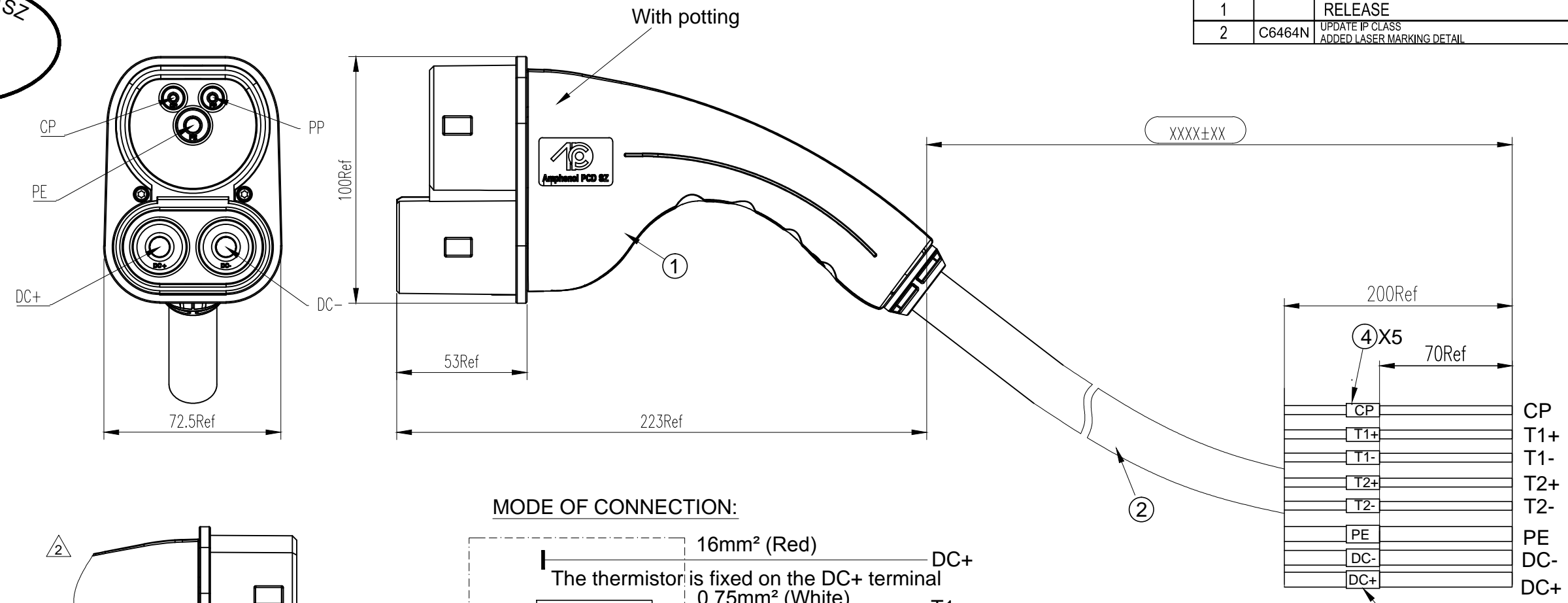
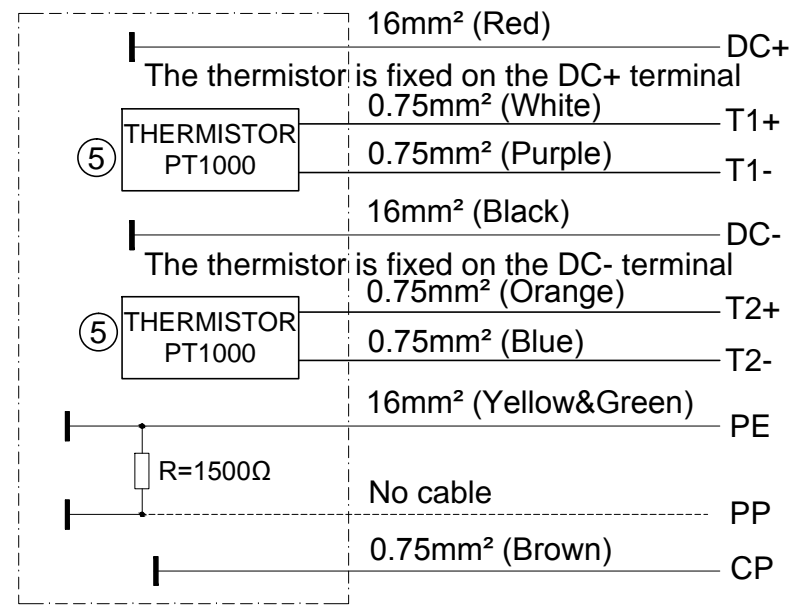


| REV | ECN | DESCRIPTION | DATE | MODIFIED |
|-----|--------|---|-------------|----------|
| 1 | | RELEASE | Jan-08-2022 | Max.Ma |
| 2 | C6464N | UPDATE IP CLASS ADDED LASER MARKING DETAIL | Oct-08-2022 | Max.Ma |

Amphenol PCD SZ
ORIGINAL
PDF Format
R&D



MODE OF CONNECTION:



安费诺精密连接器(深圳)有限公司
Amphenol PCD Shenzhen
受控文件
2022年10月28日

T / N: XXXXXXXX indicates the work order number+batch number
YYWW indicates year/week

*Notes:

- Cable assembly data:
Ambient temperature: -30~+50°C
- Rated Voltage: 1000V DC(DC+&DC-) 30V DC(CP&PP);
- Rated Current: 2A Max(CP&PP); 80A Max(DC+&DC-)
- Insulation Resistance: 100MΩ Min(DC 1000V for DC+& DC-& PE), (DC 500V for CP, Thermistor wires);
- Withstand Voltage : 3000V/AC r.m.s(DC+&DC-); 500V/AC r.m.s(CP);
- IP-Class: IP44(un-mated); IP55(mated); ⚠
- RoHS Compliance

- IEC Plug reference: C-HVCOCMCR8PF516L0000
- Reference For, IEC 62196-3;
- Cable minimum bending radius: ≥10XOD
- C-HVCOCMCTR8PF516LXXXX

©6. Durability: 10000 cycles

| LENGTH | TOLERANCE |
|-------------|-----------|
| 0~1000mm | ±50 |
| 1001~5000mm | ±100 |
| >5000mm | ±200 |

| ITEM | P/N | DESCRIPTION | QTY | UNIT |
|------|---------------------|-----------------------------------|------|------|
| ⑤ | P01BN00749 | PT1000 Φ3X12,L=200 | 2 | EA |
| ④ | C210006837 | H.S.T:Ø 3.2mm WHITE LABEL | 0.10 | m |
| ③ | C210021008 | H.S.T:Ø 8.0mm WHITE LABEL | 0.06 | m |
| ② | P01BC00215 | 3X16mm²+3X2X0.75mm² BLACK OD=19.5 | AR | m |
| ① | HVCOCMCR8PF516L0000 | COMBO II VEHICLE PLUG,DC 80A | 1 | EA |

| DIMENSIONS | TOLERANCES | PROJECTION | TITLE | |
|---|--|------------|-----------------------|--------------------------------|
| ANSI Y14.5M UNITS: MM CAD FILE | .X ± 0.50 .XX ± 0.05 ANGLES ± 2' | | Amphenol PCD Shenzhen | |
| ORIGINAL | | | ENGR Max | DATE Jan-08-2022 |
| THIS DOCUMENT CONTAINS PROPRIETARY INFORMATION WHICH IS THE CONFIDENTIAL PROPERTY OF Amphenol PCD Shenzhen Co. Ltd RESERVES THE RIGHT TO CLARIFY THIS DRAWING | | | CHKD Jack | SIZE A3 |
| | | | APPD Ben | DWG NO. C-HVCOCMCTR8PF516LXXXX |
| | | | CODE: 58982 | SCALE 1:2 |
| | | | SHEET 1 OF 1 | REV 2 |

C-HVCOCMCTR8PF516LXXXX

C-HVCOCMCTR8PF516LXXXX