



Strikefan Electronic Co.,Ltd

APPROVAL SHEET

Customer : _____
Model No : TRD6025B12H
Part No : C.B(1)
Description : DC Fan (RoHS)
Date : 2023 / 4 / 27
Revision : _____

CUSTOMER APPROVED	CHECKED BY	PREPARED BY
	陳祐仁	洪莉嫻

THIS OFFER IS MADE ACCORDING TO YOUR CURRENT INQUIRY. UNLESS OTHERWISE REVISED, THIS SPECIFICATION WILL BE FINAL FOR ALL FUTURE PRODUCTION ORDERS FROM YOUR RESPECTED COMPANY KINDLY STUDY IN DETAILS AND RETURN TO US THE DUPLICATE DULY SIGNED AS YOUR CONFIRMATION OF SAME





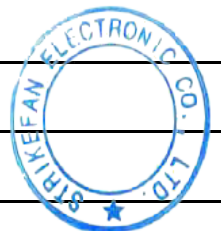
SPECIFICATION

DC AXIAL FAN

ITEM	SPECIFICATION / CONDITION
P/N	TRD6025B12H-C.B(1)
Dimension 尺寸	60 x 60 x 25 mm
Bearing Type 軸承	Two Ball Bearing
Rated Voltage 額定電壓	12 VDC
Operating Voltage 工作電壓範圍	7~14 VDC
Startup Voltage 啟動電壓	7 V
Rated Current 額定電流	0.22 (Max:0.32) A
Consuming Power 消耗功率	2.64 (Max:3.96) W
Rated Speed 額定轉速	6000 RPM±10%
Air Flow 風量	34.73(Min:31.26) CFM
	0.98 (Min:0.88) m ³ /min
Static Pressure 靜壓	12.36 (Min:10.01) mm-H ₂ O
	0.49 (Min:0.39) inch-H ₂ O
Noise Level 噪音	41.10 (Max:45.21) dBA
Safety Certification 安規	TUV UL CUL CE

PROTECTION TYPE 防護類型

Resistance Protected 電阻保護	NO
Auto Restart By IC IC版	YES
Soft Start 軟啟動	NO
Speed Control 速度檢測	NO
Alarm Control 警示功能	NO
Pulse Width Modulation 脈波控制	NO
Temperature Control 溫度控制	NO
Waterproof Level 防水等級	NO





1.MATERIAL:

1-1.FRAME : PBT UL94V-0

1-2.IMPELLER PBT UL94V-0

1-3.BOBBIN PBT UL94V-0

1-4.Shaft holder :

V	Plastic		Copper
	Aluminum		

2.ENVIRONMENTAL

2-1.OPERATING TEMPERATURE : -10 TO +70 DEGREE°C

2-2.STORAGE TEMPERATURE : -40 TO +85 DEGREE°C

2-3.OPERATING HUMIDITY : 15 TO 90% RH

2-4.STORAGE HUMIDITY : 15 TO 90% RH

3. Electrical specification :

3-1.LOCKED ROTOR PROTECTION

IMPEDANCE OF MOTOR WINDING PROTECTS MOTOR FROM FIRE IN 15MINUTE OF LOCKED ROTOR CONDITION AT THE RATED VOLTAGE.

3-2.INSULATION RESISTANCE

10 MEG OHM(MIN.) AT 500 VDC (BETWEEN FRAME AND (+) TERMINAL)

3-3.INSULATION STRENGTH

5 mA MAX. AT 500 VAC 60 Hz ONE MINUTE, (BETWEEN FRAME AND(+)TERMINAL)

4.Drop test:

IN MINIMUM PACKAGING CONDITION FAN WITHSTANDS EACH ONE DROP OF THREE FACES FROM 30 CM DISTANCE HEIGHT ONTO 10 MM THICKNESS OF WOODEN BOARD.

5.LIFE EXPECTANC

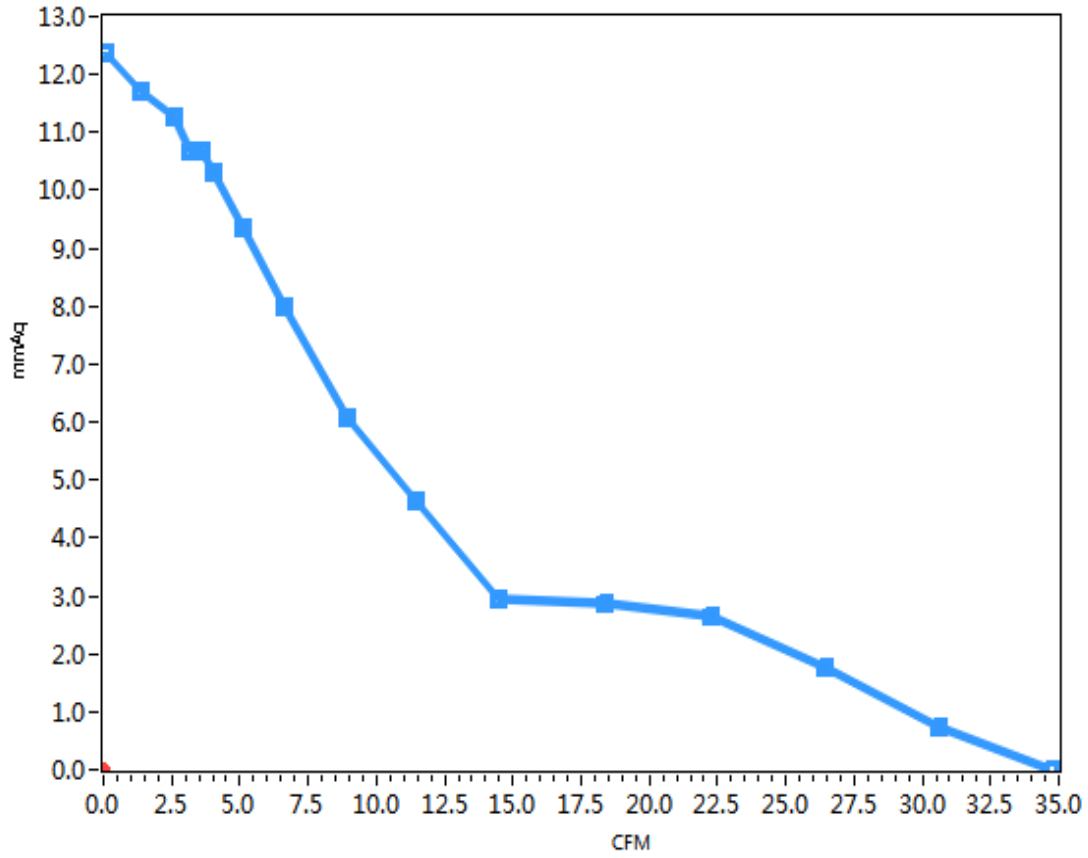
70000 HOURS CONTINUOUS OPERATION

ONE YEAR WARRANTY AT 40°C WITH 15~65 %RH..



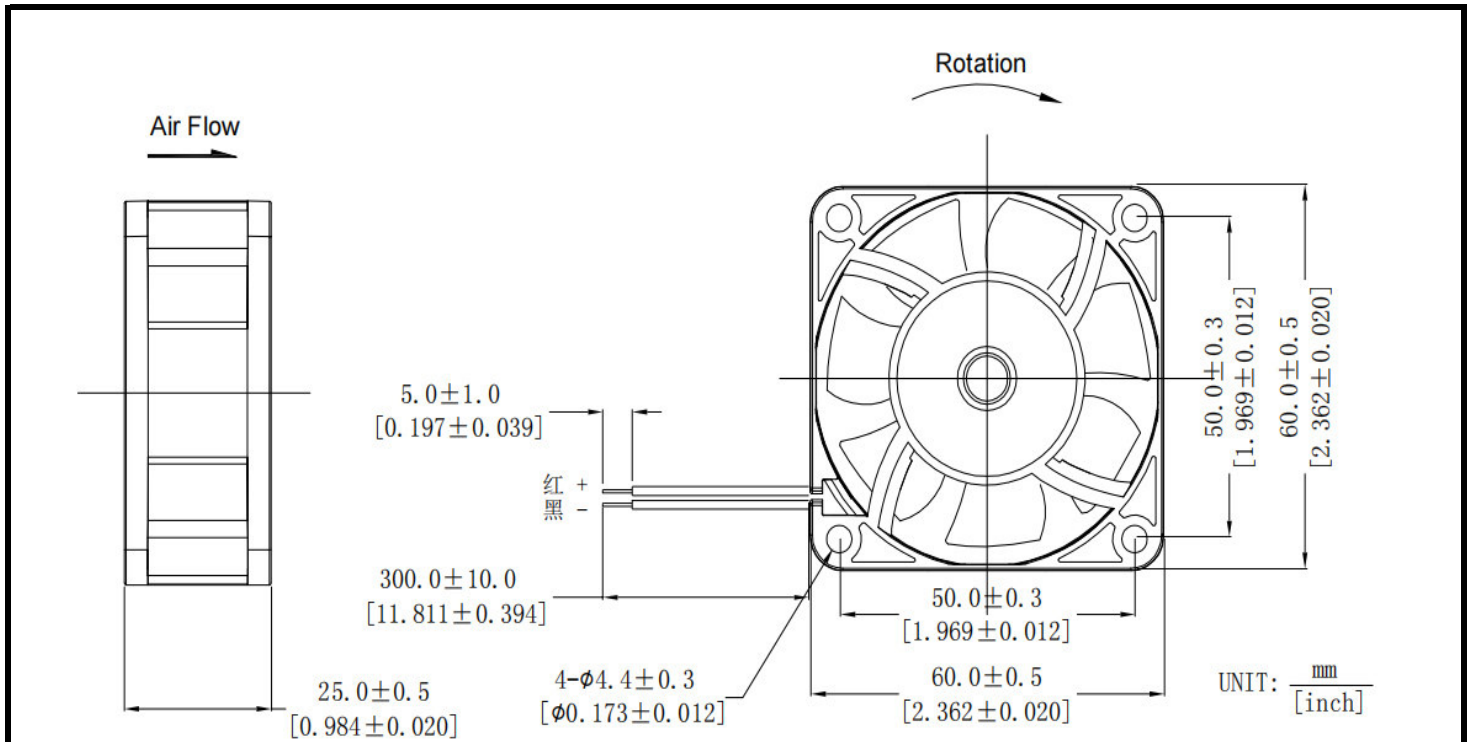


6.Fan Performance Curve Test Report

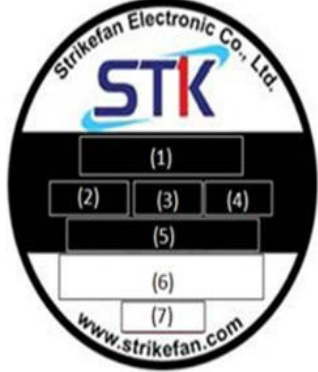




7.OUTLINE STYLING & DIMENSIONS :



(1)型號/Model No
(2)軸承/Bearing Type
(3)額定電壓/Rated Voltage
(4)安規電流/Rated Current
(5)產品編號/Part No
(6)安規/Safety Approvals
(7)製造日期/Date Code



NOTE:

LEAD WIRES: WIRES UL 1007 #24 AWG

Red-----(+)

Black-----(-)



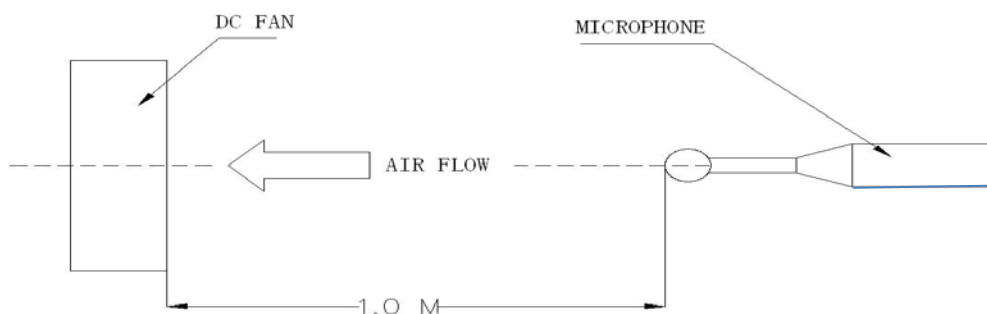


NOTES(一):

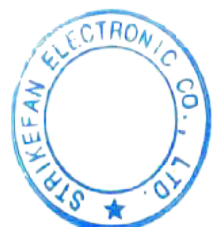
1. PLEASE DO NOT TOUCH AND PUSH FAN BLADE WITH FINGERS OR OTHERS, FAN BLADE AND BALL BEARINGS MAY BE DAMAGED AND IT CAUSES NOISE DEFECT.
2. DO NOT CARRY THE FAN BY ITS LEAD WIRES.
3. IF THE FAN DOES NOT HAVE THE POLARITY PROTECTION FUNCTION,THE CONNECTION OF THE COLORED WIRES SHOULD BE RED+RED, AND BLACK+BLACK,OR ELSE THE FAN WILL BE DAMAGED IN NO TIME.
4. FOR THE MODELS WITHOUT REVERSE CONNECTION OF POLARITY PROTECTION, PLEASE DO NOT CONNECT THE LEAD WIRE IN REVERSE.
5. PLEASE DON'T INSTALL THIS FAN IN SERIES WITH 2X VOLTAGE INPUTS. FOR EXAMPLE, IF A SINGLE FAN RATED AT 12V,THEN DON'T INSTALL TWO OF THEM IN SERIES WITH 24V INPUT.
6. THE PERIOD OF PRODUCT WARRANTY,UNLESS OTHERWISE AGREED BY STK IN WRITTEN, SHALL BE 12 MONTHS STARTING FROM THE DATE OF PRODUCTION.
7. IN ORDER TO AVOID ABNORMAL BUMPING OR INTERFERENCE CAUSED BY DEFORMED IMPELLER WHEN FAN IS FASTENED,SUGGESTED DISTANCE OF AT LEAST 0.5MM IS STRONGLY RESERVED IN FRONT OF THE FRAME(THE SIGHT FROM THE IMPELLER FACE).

NOTES(二):

1. ALL READINGS ARE MEASURED AFTER STABLY WARMING UPTHROUGH 10 MINUTES.
2. THE VALUES WRITTEN IN PARENS, ARE LIMITED SPEC.
3. ACOUSTICAL NOISE MEASURING CONDITION:



NOISE IS MEASURED AT RATED VOLTAGE IN FREE AIR IN ANECHOICCHAMBER WITH B & K SOUND LEVEL METER WITH MICROPHONE AT A DISTANCE OF ONE METER FROM THE FAN INTAKE



Model(s): TRS1238(X)24H Where "(S)" or "(X)" means bearing type, may be "S" or "B".

Model(s): TRS1238(X)24HH Where "(S)" or "(X)" means bearing type, may be "S" or "B".

Model(s): TRS1238(X)24L Where "(S)" or "(X)" means bearing type, may be "S" or "B".

Model(s): TRS1238(X)24M Where "(S)" or "(X)" means bearing type, may be "S" or "B".

Model(s): TRS6015(X)05H Where "(S)" or "(X)" means bearing type, may be "S" or "B".

Model(s): TRS6015(X)05HH Where "(S)" or "(X)" means bearing type, may be "S" or "B".

Model(s): TRS6015(X)05L Where "(S)" or "(X)" means bearing type, may be "S" or "B".

Model(s): TRS6015(X)05M Where "(S)" or "(X)" means bearing type, may be "S" or "B".

DC Component Fans, Model(s): TRS4020(X)12H, TRS4020(X)12HH, TRS4020(X)12L, TRS4020(X)12M, TRS6015(X)12H, TRS6015(X)12HH, TRS6015(X)12L, TRS6015(X)12M, TRS7015(X)24H, TRS7015(X)24L, TRS7015(X)24M, TRS8015(X)12H, TRS8015(X)12L, TRS8015(X)12M, TRS8015(X)24H, TRS8015(X)24L, TRS8015(X)24M, TRS8025(X)12H, TRS8025(X)12HH, TRS8025(X)12L, TRS8025(X)12M

DC fans, Model(s): TRB6025(X)24H, TRB6025(X)24L, TRB6025(X)24M, TRB6025(X)24SH, TRB6025(X)24VH, TRD1225(X)12D, TRD1225(X)12H, TRD1225(X)12L, TRD1225(X)12M, TRD1225(X)12VH, TRD1238(X)12D, TRD1238(X)12H, TRD1238(X)12L, TRD1238(X)12M, TRD1238(X)12VH, TRD6025(X)12D, TRD6025(X)12H, TRD6025(X)12L, TRD6025(X)12M, TRD6025(X)12SH, TRD6025(X)12VH, TRD6025(X)24D, TRD6025(X)24H, TRD6025(X)24L, TRD6025(X)24M, TRD6025(X)24SH, TRD6025(X)24VH, TRD9225(X)12D, TRD9225(X)12H, TRD9225(X)12L, TRD9225(X)12M, TRD9225(X)12SH, TRD9225(X)12VH, TRS1225(X)12H, TRS1225(X)12L, TRS1225(X)12M, TRS1238(X)05D, TRS1238(X)05L, TRS1238(X)05M, TRS1425(X)24D, TRS1425(X)24H, TRS1425(X)24L, TRS1425(X)24M, TRS9225(X)48H, TRS9225(X)48L, TRS9225(X)48M, TRS9225(X)48SH, TRS9225(X)48VH

DC fans, Model(s): TRS2510(X)05H - Where (X) maybe S, L or B.

DC fans, Model(s): TRS2510(X)05L - Where (X) maybe S, L or B.

DC fans, Model(s): TRS2510(X)05M - Where (X) maybe S, L or B.

Low voltage component fans, Model(s): TRB9733(X)12D (X) may be S, B, L, F., TRB9733(X)12H (X) may be S, B, L, F., TRB9733(X)12L (X) may be S, B, L, F., TRB9733(X)12M (X) may be S, B, L, F., TRB9733(X)12SH (X) may be S, B, L, F., TRB9733(X)12VH (X) may be S, B, L, F., TRD4028(X)24D (X) may be S, B, L, F., TRD4028(X)24H (X) may be S, B, L, F., TRD4028(X)24L (X) may be S, B, L, F., TRD4028(X)24M (X) may be S, B, L, F., TRD4028(X)24SH (X) may be S, B, L, F., TRD4028(X)24VH (X) may be S, B, L, F., TRD6038(X)12D (X) may be S, B, L, F., TRD6038(X)12H (X) may be S, B, L, F., TRD6038(X)12L (X) may be S, B, L, F., TRD6038(X)12M (X) may be S, B, L, F., TRD6038(X)12SH (X) may be S, B, L, F., TRD6038(X)12VH (X) may be S, B, L, F., TRD8032(X)12H (X) may be S, B, L, F., TRD8032(X)12L (X) may be S, B, L, F., TRD8032(X)12M (X) may be S, B, L, F., TRD8032(X)12VH (X) may be S, B, L, F., TRD8032(X)24H (X) may be S, B, L, F., TRD8032(X)24L (X) may be S, B, L, F., TRD8032(X)24M (X) may be S, B, L, F., TRD8032(X)24SH (X) may be S, B, L, F., TRD8032(X)24VH (X) may be S, B, L, F., TRD8038(X)12H (X) may be S, B, L, F., TRD8038(X)12L (X) may be S, B, L, F., TRD8038(X)12M (X) may be S, B, L, F., TRD8038(X)12SH (X) may be S, B, L, F., TRD8038(X)12VH (X) may be S, B, L, F., TRD9232(X)12H (X) may be S, B, L, F., TRD9232(X)12L (X) may be S, B, L, F., TRD9232(X)12M (X) may be S, B, L, F., TRD9232(X)12VH (X) may be S, B, L, F., TRD9232(X)24H (X) may be S, B, L, F., TRD9232(X)24L (X) may be S, B, L, F., TRD9232(X)24M (X) may be S, B, L, F., TRD9232(X)24VH (X) may be S, B, L, F., TRD9238(X)12D (X) may be S, B, L, F., TRD9238(X)12H (X) may be S, B, L, F., TRD9238(X)12L (X) may be S, B, L, F., TRD9238(X)12M (X) may be S, B, L, F., TRD9238(X)12VH (X) may be S, B, L, F., TRS1232(X)12D (X) may be S, B, L, F., TRS1232(X)12H (X) may be S, B, L, F., TRS1232(X)12L (X) may be S, B, L, F., TRS1232(X)12M (X) may be S, B, L, F., TRS1232(X)12VH (X) may be S, B, L, F., TRS1232(X)24D (X) may be S, B, L, F., TRS1232(X)24H (X) may be S, B, L, F., TRS1232(X)24L (X) may be S, B, L, F., TRS1232(X)24M (X) may be S, B, L, F., TRS1232(X)24VH (X) may be S, B, L, F., TRS1238(X)12D (X) may be S, B, L, F., TRS1238(X)12H (X) may be S, B, L, F., TRS1238(X)12L (X) may be S, B, L, F., TRS1238(X)12M (X) may be S, B, L, F., TRS1238(X)12SH (X) may be S, B, L, F., TRS1238(X)12VH (X) may be S, B, L, F., TRS1425(X)12D (X) may be S, B, L, F., TRS1425(X)12H (X) may be S, B, L, F., TRS1425(X)12L (X) may be S, B, L, F., TRS1425(X)12M (X) may be S, B, L, F., TRS4010(X)05H (X) may be S, B, L, F., TRS4010(X)05L (X) may be S, B, L, F., TRS4010(X)05M (X) may be S, B, L, F., TRS4010(X)05SH (X) may be S, B, L, F., TRS4010(X)05VH (X) may be S, B, L, F., TRS4020(X)24H (X) may be S, B, L, F., TRS4020(X)24L (X) may be S, B, L, F., TRS4020(X)24M (X) may be S, B, L, F., TRS4020(X)24SH (X) may be S, B, L, F., TRS4020(X)24VH (X) may be S, B, L, F., TRS5015(X)05H (X) may be S, B, L, F., TRS5015(X)05L (X) may be S, B, L, F., TRS5015(X)05M (X) may be S, B, L, F., TRS5020(X)12H (X) may be S, B, L, F., TRS5020(X)12L (X) may be S, B, L, F., TRS5020(X)12M (X) may be S, B, L, F., TRS5020(X)12VH (X) may be S, B, L, F., TRS5020(X)24H (X) may be S, B, L, F., TRS5020(X)24L (X) may be S, B, L, F., TRS5020(X)24M (X) may be S, B, L, F., TRS5020(X)24SH (X) may be S, B, L, F., TRS5020(X)24VH (X) may be S, B, L, F., TRS6010(X)12H (X) may be S, B, L, F., TRS6010(X)12L (X) may be S, B, L, F.,

TRD1238(X)48H, TRD1238(X)48L, TRD1238(X)48M, TRD1238(X)48VH, TRD2589(X)48H, TRD2589(X)48L, TRD2589(X)48M, TRD2589(X)48SH, TRD2589(X)48VH, TRD4028(X)12H, TRD4028(X)12L, TRD4028(X)12M, TRD4028(X)12SH, TRD4028(X)12VH, TRD5010(S)12H, TRD5010(S)12HH, TRD5010(S)12L, TRD5010(S)12M, TRD5010(X)18H, TRD5010(X)18L, TRD5010(X)18M, TRD6025(X)12D, TRD6025(X)12H, TRD6025(X)12L, TRD6025(X)12M, TRD6025(X)12SH, TRD6025(X)12VH, TRD6025(X)24D, TRD6025(X)24H, TRD6025(X)24L, TRD6025(X)24M, TRD6025(X)24SH, TRD6025(X)24VH, TRD6038(X)12D, TRD6038(X)12H, TRD6038(X)12L, TRD6038(X)12M, TRD6038(X)12SH, TRD6038(X)12VH, TRD6038(X)24H, TRD6038(X)24L, TRD6038(X)24M, TRD6038(X)24SH, TRD6038(X)24VH, TRD8038(X)24H, TRD8038(X)24L, TRD8038(X)24M, TRD8038(X)24SH, TRD8038(X)24VH, TRD9225(X)12D, TRD9225(X)12H, TRD9225(X)12L, TRD9225(X)12M, TRD9225(X)12SH, TRD9225(X)12VH, TRD9225(X)24H, TRD9225(X)24L, TRD9225(X)24M, TRD9225(X)24SH, TRD9225(X)24VH, TRD9238(X)24H, TRD9238(X)24L, TRD9238(X)24M, TRD9238(X)24VH, TRD9238(X)48H, TRD9238(X)48L, TRD9238(X)48M, TRD9238(X)48VH, TRDB9733S18H, TRS12038B24, TRS1225(X)12L, TRS1225(X)12M, TRS1232(X)12D, TRS1232(X)12H, TRS1232(X)12L, TRS1232(X)12M, TRS1232(X)12VH, TRS1232(X)24D, TRS1232(X)24H, TRS1232(X)24L, TRS1232(X)24M, TRS1232(X)24VH, TRS1238(X)05D, TRS1238(X)05L, TRS1238(X)05M, TRS1238(X)24H, TRS1238(X)24HH, TRS1238(X)24L, TRS1238(X)24M, TRS1238(X)48H, TRS1238(X)48L, TRS1238(X)48M, TRS1238(X)48SH, TRS1238(X)48UH, TRS1238(X)48VH, TRS1425(X)24D, TRS1425(X)24H, TRS1425(X)24L, TRS1425(X)24M, TRS17251B48, TRS1751B24H, TRS1751B24L, TRS1751B24M, TRS1751B24SH, TRS1751B24VH, TRS2510(X)12H, TRS2510(X)12L, TRS2510(X)12M, TRS2510(X)12VH, TRS3010(X)05H, TRS3010(X)05L, TRS3010(X)05M, TRS3010(X)12H, TRS3010(X)12L, TRS3010(X)12M, TRS3010(X)12SH, TRS3010(X)12VH, TRS3510(X)05H, TRS3510(X)05L, TRS3510(X)05M, TRS3510(X)12H, TRS3510(X)12L, TRS3510(X)12M, TRS4010(X)05H, TRS4010(X)05L, TRS4010(X)05M, TRS4010(X)05SH, TRS4010(X)05VH, TRS4010(X)12H, TRS4010(X)12L, TRS4010(X)12M, TRS4010(X)12SH, TRS4010(X)12VH, TRS4010(X)15H, TRS4010(X)15L, TRS4010(X)15M, TRS4010(X)24H, TRS4010(X)24L, TRS4010(X)24M, TRS4015(X)12H, TRS4015(X)12L, TRS4015(X)12M, TRS4015(X)12SH, TRS4015(X)12VH, TRS4015(X)24H, TRS4015(X)24L, TRS4015(X)24M, TRS4020(X)12H, TRS4020(X)12HH, TRS4020(X)12L, TRS4020(X)12M, TRS5010(X)24H, TRS5010(X)24L, TRS5010(X)24M, TRS5015(X)05H, TRS5015(X)05L, TRS5015(X)05M, TRS5015(X)12H, TRS5015(X)12L, TRS5015(X)12M, TRS5015(X)12VH, TRS5015(X)24H, TRS5015(X)24L, TRS5015(X)24M, TRS5020(X)12VH, TRS5020(X)24H, TRS5020(X)24L, TRS5020(X)24M, TRS5020(X)24SH, TRS5020(X)24VH, TRS6010(X)12H, TRS6010(X)12L, TRS6010(X)12M, TRS6010(X)12VH, TRS6015(X)05H, TRS6015(X)05HH, TRS6015(X)05L, TRS6015(X)05M, TRS6015(X)12H, TRS6015(X)12HH, TRS6015(X)12L, TRS6015(X)12M, TRS6015(X)24H, TRS6015(X)24L, TRS6015(X)24M, TRS6020(X)12H, TRS6020(X)12L, TRS6020(X)12M, TRS6020(X)24H, TRS6020(X)24L, TRS6020(X)24M, TRS6020(X)24VH, TRS6025(X)12H, TRS6025(X)12L, TRS6025(X)12M, TRS6025(X)12V, TRS6025B24, TRS7015(X)12H, TRS7015(X)12L, TRS7015(X)12M, TRS7015(X)24H, TRS7015(X)24L, TRS7015(X)24M, TRS8015(X)12H, TRS8015(X)12L, TRS8015(X)12M, TRS8015(X)24H, TRS8015(X)24L, TRS8015(X)24M, TRS8025(X)12H, TRS8025(X)12HH, TRS8025(X)12L, TRS8025(X)12M, TRS8025(X)24H, TRS8025(X)24L, TRS8025(X)24M, TRS8025(X)24VH, TRS8025B24, TRS9225(X)12H, TRS9225(X)12HH, TRS9225(X)12L, TRS9225(X)12M, TRS9225(X)48H, TRS9225(X)48L, TRS9225(X)48M, TRS9225(X)48SH, TRS9225(X)48VH, TRS9225B24, TRY8016W12H - where (W) may be S, B, SB, TRY8016W12L - where (W) may be S, B, SB, TRY8016W12M - where (W) may be S, B, SB, TRY8032W12H - where (W) may be S, B, SB, TRY8032W12L - where (W) may be S, B, SB, TRY8032W12M - where (W) may be S, B, SB, TRY8032W24H - where (W) may be S, B, SB, TRY8032W24L - where (W) may be S, B, SB, TRY8032W24M - where (W) may be S, B, SB, TRY8032W48H - where (W) may be S, B, SB, TRY8032W48L - where (W) may be S, B, SB, TRY8032W48M - where (W) may be S, B, SB, TRY9015W12H - where (W) may be S, B, SB, TRY9015W12L - where (W) may be S, B, SB, TRY9015W12M - where (W) may be S, B, SB

DC fans, Model(s): S(X)0752512L-3M refers to where (X)=S or B

DC fans, Model(s): S(X)0752512M-3M refers to where (X)=S or B

DC fans, Model(s): TRS1225(X)12H - Where (X) maybe S, L or B.

DC fans, Model(s): TRS2510(X)05H - Where (X) maybe S, L or B.

DC fans, Model(s): TRS2510(X)05L - Where (X) maybe S, L or B.

DC fans, Model(s): TRS2510(X)05M - Where (X) maybe S, L or B.

DC fans, Model(s): TRY12025W48H - where (W) may be S, B, SB

DC fans, Model(s): TRY12025W48L - where (W) may be S, B, SB

DC fans, Model(s): TRY12025W48M - where (W) may be S, B, SB

DC fans, Model(s): TRY2507(Y)05H - Where (Y) may be "S", "B" or "SB"

DC fans, Model(s): TRY2507(Y)05L - Where (Y) may be "S", "B" or "SB"

DC fans, Model(s): TRY2507(Y)05M - Where (Y) may be "S", "B" or "SB"



Product Service

CERTIFICATE

No. B 118976 0002 Rev. 00

Holder of Certificate: **STRIKEFAN ELECTRONIC CO.,LTD.**

4F., No. 100, Zhongxing Rd., Xizhi District
221012 New Taipei City
TAIWAN

Certification Mark:



Product:

**Component fan
(DC FAN)**

The product was tested on a voluntary basis and complies with the essential requirements. The certification mark shown above can be affixed on the product. It is not permitted to alter the certification mark in any way. In addition, the certification holder must not transfer the certificate to third parties. This certificate is valid until the listed date, unless it is cancelled earlier. All applicable requirements of the testing and certification regulations of TÜV SÜD Group have to be complied. For details see: www.tuvsud.com/ps-cert

Test report no.: 682101503003A

Valid until: 2027-08-07

Date, 2022-11-29

(Bruce Zhang)

CERTIFICATE

No. B 118976 0002 Rev. 00

Model(s):

TRS2510X05L, TRS2510X05M, TRS2510X05H,
TRS2510X12L, TRS2510X12M, TRS2510X12H,
TRS3010X05L, TRS3010X05M, TRS3010X05H,
TRS3010X12L, TRS3010X12M, TRS3010X12H,
TRS3010X12VH, TRS3510X05L, TRS3510X05M,
TRS3510X05H, TRS3510X12L, TRS3510X12M,
TRS3510X12H, TRS4010X05L, TRS4010X05M,
TRS4010X05H, TRS4010X05VH, TRS4010X12L,
TRS4010X12M, TRS4010X12H, TRS4010X12VH,
TRS4010X24M, TRS4010X24H, TRS4010X24VH,
TRS4015X05L, TRS4015X05M, TRS4015X05H,
TRS4015X12L, TRS4015X12M, TRS4015X12H,
TRS4015X12VH, TRS4015X24M, TRS4015X24H,
TRS4015X24VH, TRS4020X05D, TRS4020X05L,
TRS4020X05M, TRS4020X12D, TRS4020X12L,
TRS4020X12M, TRS4020X12H, TRS4020X12VH,
TRS4020X12SH, TRS4020X24M, TRS4020X24H,
TRS4020X24VH, TRS4020X24SH, TRD4028X12D,
TRD4028X12L, TRD4028X12M, TRD4028X12H,
TRD4028X12VH, TRD4028X12SH, TRD4028X24D,
TRD4028X24L, TRD4028X24M, TRD4028X24H,
TRD4028X24VH, TRD4028X24SH, TRS5010X05L,
TRS5010X05M, TRS5010X05H, TRS5010X12L,
TRS5010X12M, TRS5010X12H, TRS5010X12VH,
TRS5010X24M, TRS5010X24H, TRS5010X24VH,
TRS5015X05L, TRS5015X05M, TRS5015X05H,
TRS5015X12L, TRS5015X12M, TRS5015X12H,
TRS5015X12VH, TRS5015X24L, TRS5015X24M,
TRS5015X24H, TRS5020X05L, TRS5020X05M,
TRS5020X12L, TRS5020X12M, TRS5020X12H,
TRS5020X12VH, TRS5020X24H, TRS5020X24VH,
TRS6010X05L, TRS6010X05M, TRS6010X05H,
TRS6010X12L, TRS6010X12M, TRS6010X12H,
TRS6010X12VH, TRS6010X24M, TRS6010X24H,
TRS6010X24VH, TRS6015X05D, TRS6015X05L,
TRS6015X05M, TRS6015X12D, TRS6015X12L,
TRS6015X12M, TRS6015X12H, TRS6015X12VH,
TRS6015X12SH, TRS6015X24L, TRS6015X24M,
TRS6015X24H, TRS6015X24VH, TRS6015X24SH,
TRS6020X12D, TRS6020X12L, TRS6020X12M,
TRS6020X12H, TRS6020X12VH, TRS6020X12SH,
TRS6020X24L, TRS6020X24M, TRS6020X24H,
TRS6020X24VH, TRS6020X24SH, TRS6025X12D,
TRS6025X12L, TRS6025X12M, TRS6025X12H,
TRS6025X12VH, TRS6025X12SH, TRS6025X24D,
TRS6025X24L, TRS6025X24M, TRS6025X24H,
TRS6025X24VH, TRS6025X24SH, TRD6025X12D,
TRD6025X12L, TRD6025X12M, TRD6025X12H,
TRD6025X12VH, TRD6025X12SH, TRD6025X24D,
TRD6025X24L, TRD6025X24M, TRD6025X24H,
TRD6025X24VH, TRD6025X24SH, TRD6038X12D,
TRD6038X12L, TRD6038X12M, TRD6038X12H,



E-mail: atl@atllab.org
 Web: Http://www.atllab.org

Floor.5,Genesis Zhongye Building,No.22,
 Puzai Road,Pingdi Street,Longgang District,
 Shenzhen,Guangdong,China (518000)

EC-Certification of Conformity

EMC Directive 2014/30/EU

Registration No.: ATL202112071171
 Applicant: STRIKEFAN ELECTRONIC CO.,LTD.
 Applicant Address: 4F,NO.100,CHUNG HSIN RD.,HSICHIH DIST,NEW TAIPEI CITY,22158,TAIWAN
 Manufacturer: STRIKEFAN ELECTRONIC CO.,LTD.
 Manufacturer Address: 4F,NO.100,CHUNG HSIN RD.,HSICHIH DIST,NEW TAIPEI CITY,22158,TAIWAN
 Product Designation: DC Fan
 Brand Name: STK
 Model / Series Models: 1238,1305,1504,1708,1804,2004,2008,2507,2512,3004,3008,4505,2010,2510,
 3007,3010,3510,4010,4015,4510,4020,4028,5010,5015,5020,6010,6015,6020,
 6025,6038,7010,7015,7025,7020,7032,7038,8010,8015,8020,8025,8032,8038,
 9015,9225,9232,9238,1225,1232,1238,1338,1425,1438,14050,1551,16050,17225,
 17238,17251,20053,20060,20070,2230,25489,3517,7530,9733,17569,12030,
 10025,5013,15040,13840,8030,8018,3006,3015,17255,22580,28080,5025,13380,
 17065,19067,19072,22076,22599,225101,25099,25094,200,220,250,300,2589,
 1751

Requirement	Applied Standards	Document Evidence	Result
EMC Directive	EN IEC 61000-6-1:2019; EN 61000-6-3:2007/A1:2011/AC:2012.	Test Report: ATL202112071171E01	Conform



Kent Zhang

Signed by Quality Manager
 Issue Date: Dec. 15, 2021



Recognized by Shenzhen ATL Testing Technology Co., Ltd., in accordance with the EMC Directive 2014/30/EU. The certificate doesn't imply assessment of the production. The Applicant of the certificate is authorized to use this certificate in connection with EC declaration of conformity to the Directive. The certificate is only applicable to the equipments described above. This certificate shall not be re-produced except in full without the written approval of Shenzhen ATL Testing Technology Co., Ltd.

Note: This certificate is part of the full test report(s) and should be used in conjunction with it.