

This document is the property of Amphenol Corporation and is delivered on the express condition that it is not to be disclosed, reproduced or used, in whole or in part, for manufacture or sale by anyone other than Amphenol Corporation without its prior consent, & that no right is granted to disclose or to use any information in this document.

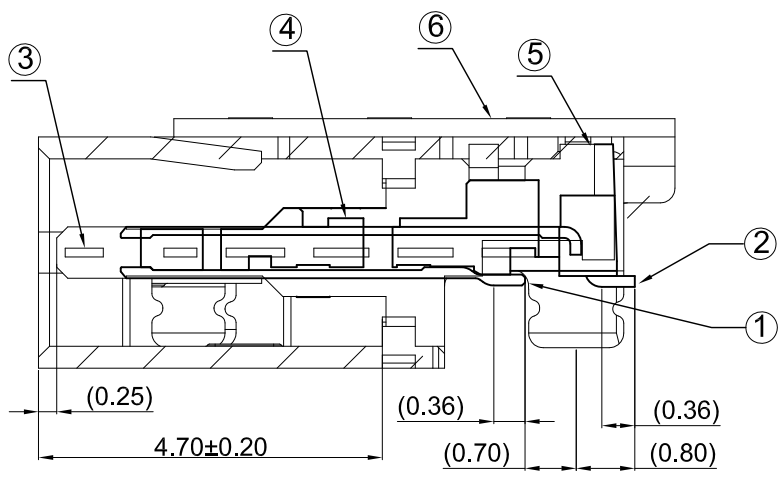
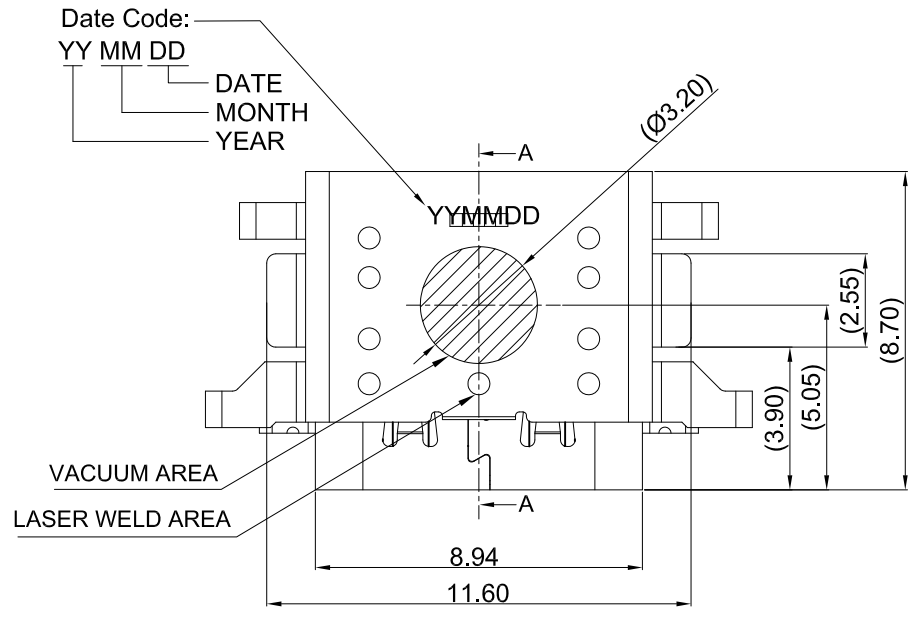
CUSTOMER DRAWING

REVISIONS				
SYM	ECN	DESCRIPTION	DATE	APPROVED
1	***	FIRST RELEASE	2020/08/13	Michael.lip
2	***	Update dimensioning	2020/08/18	Michael.lip
3	***	Update dimensioning	2020/08/24	Michael.lip
4	***	Update dimensioning	2020/08/26	Michael.lip
5	***	Update dimensioning	2020/09/03	Michael.lip
6	***	Update dimensioning	2020/09/14	Michael.lip



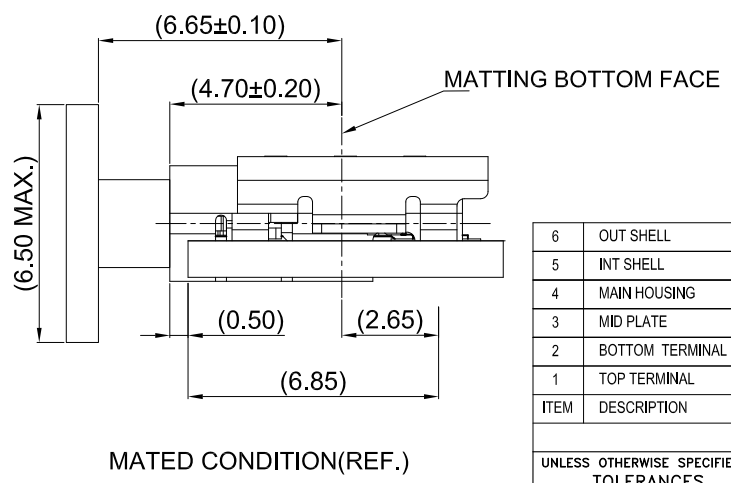
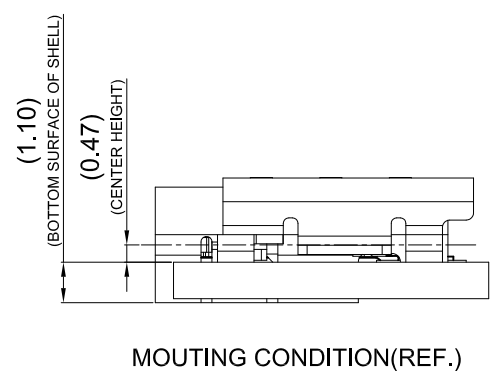
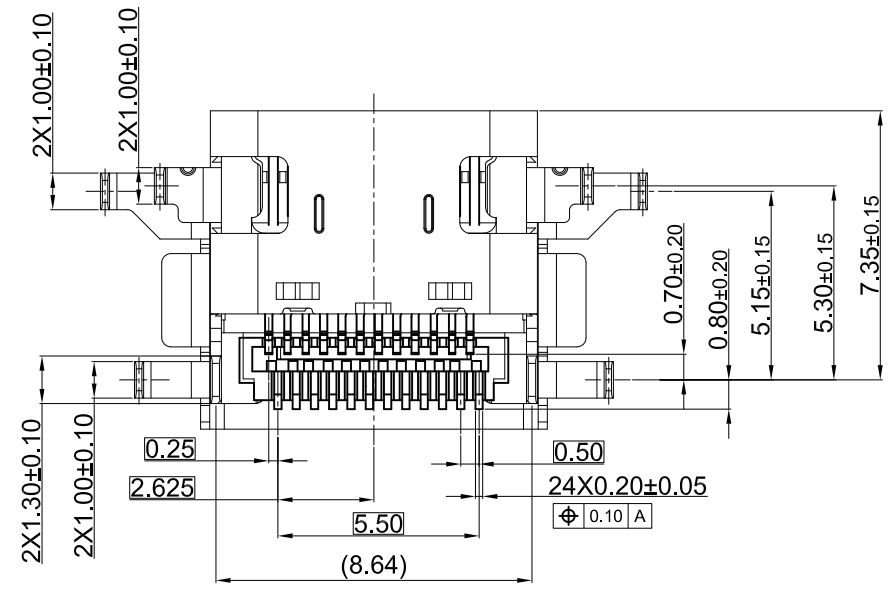
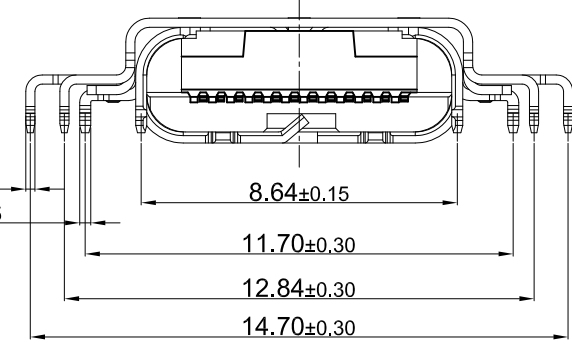
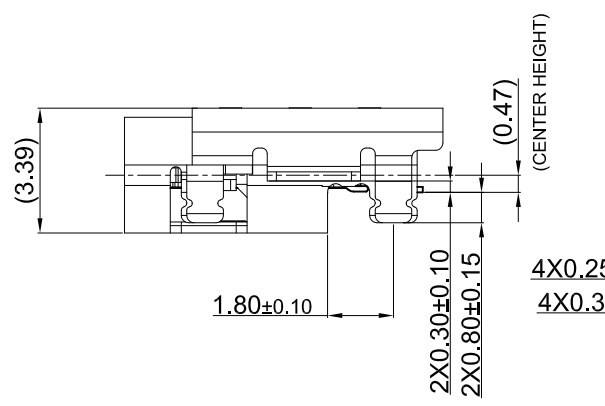
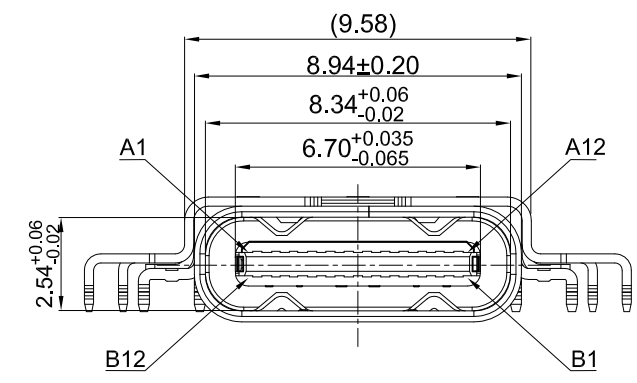
CODICO GmbH
 Zwingenstraße 6-8, 2380 Perchtoldsdorf, Austria
 Telefon: +43 1 86 305-0, Fax: +43 1 86 305-5000
 e-mail: office@codico.com, www.codico.com
 FN 436940i, Landesgericht Wr. Neustadt

Zertifiziert nach ISO 9001:2015



Pin定义:

A1	A2	A3	A4	A5	A6	A7	A8	A9	A10	A11	A12
GND	TX1+	TX1-	Vbus	CC1	D+	D-	SBU1	Vbus	RX2-	RX2+	GND
GND	RX1+	RX1-	Vbus	SBU2	D-	D+	CC2	Vbus	TX2-	TX2+	GND
B12	B11	B10	B9	B8	B7	B6	B5	B4	B3	B2	B1



ITEM	DESCRIPTION	Q'TY	MATERIAL	FINISH	REMARK
6	OUT SHELL	1	STAINLESS STEEL	NICKEL PLATING	
5	INT SHELL	1	STAINLESS STEEL	NICKEL PLATING	
4	MAIN HOUSING	1	HIGH TEMPERATURE	-	COLOR:BLACK
3	MID PLATE	1	STAINLESS STEEL	-	
2	BOTTOM TERMINAL	1	COPPER ALLOY	MATING SIDE:≥30μ" Au on 279μ" Ni underplate	
1	TOP TERMINAL	1	COPPER ALLOY	SOLDER TAIL:≥1μ" Au on 279μ" Ni underplate	

UNLESS OTHERWISE SPECIFIED TOLERANCES		APPROVAL		DATE	
.X	+/-	0.50	DRAWN	Fei.Wu	08/13/20
.XX	+/-	0.25	CHECKED	Michael.Qin	08/13/20
.XXX	+/-	0.10	CHECKED	Michael.Qin	
FRACTIONS	+/-		DRAWING FILE :		
ANGLES	+/-	3°	TITLE Customer Drawing For		
FOR MATERIALS AND FINISHES SEE NOTES					
REMOVE SHARP EDGES					
DIMENSIONS					
U.S. INCHES		ANGLE OF PROJECTION			
(METRIC) (MM)					
		DRAWING NO.		REV.	
		A3 12402075		6	
		SCALE NONE		SHEET 1 OF 2	

Amphenol East Asia Limited

