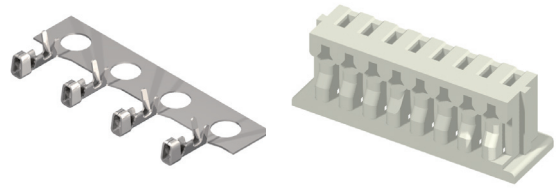
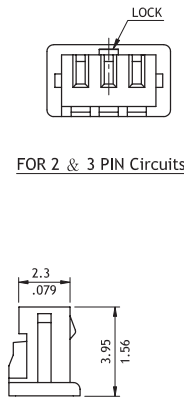
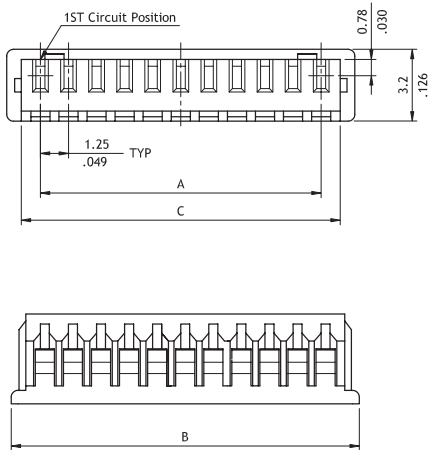


**CI44 Series 1.25mm(.049") Wire to Board Connectors Housing & Terminal**

- ⊙ Latch housing secure terminal in housing and provides extra terminal retention
- ⊙ Terminal accommodated AWG #28 ~ #32
- ⊙ Insulator: Polyester UL 94V-0, Color Nature
- ⊙ Terminal: Tin plated, Phosphor Bronze
- ⊙ Mate with CI44 header

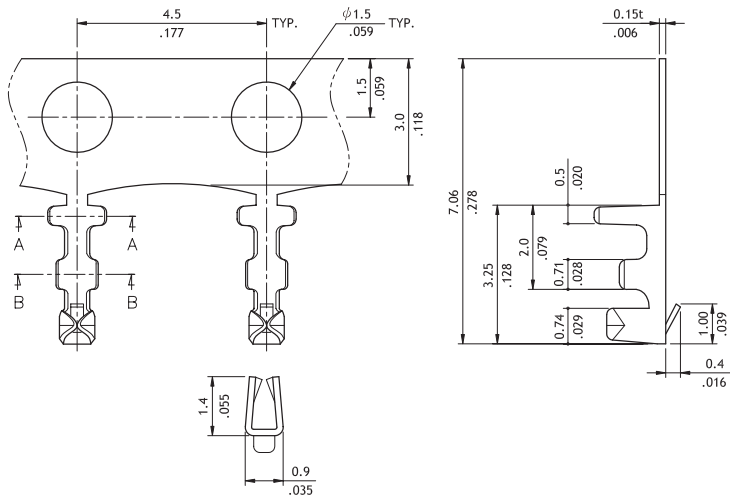


RoHS Compliant  

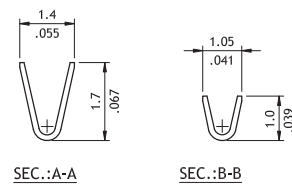


FOR 2 & 3 PIN Circuits

Circuits	Dimension		
	A	B	C
2	1.25(.049)	4.25(.167)	2.95(.116)
3	2.50(.098)	5.5(.217)	4.20(.165)
4	3.75(.148)	6.75(.266)	5.45(.215)
5	5.00(.197)	8.0(.315)	6.70(.264)
6	6.25(.246)	9.25(.364)	7.95(.313)
7	7.50(.295)	10.5(.413)	9.20(.362)
8	8.75(.344)	11.75(.463)	10.45(.411)
9	10.00(.394)	13.0(.512)	11.70(.461)
10	11.25(.443)	14.25(.561)	12.95(.510)
11	12.50(.492)	15.5(.610)	14.20(.559)
12	13.75(.541)	16.75(.659)	15.45(.608)
13	15.00(.591)	18.0(.709)	16.70(.657)
14	16.25(.640)	19.25(.758)	17.95(.707)
15	17.50(.689)	20.5(.807)	19.20(.756)



Wire Range	Insulation Diameter	Reel Qty
AWG #28-#32	1.0 (.039) MAX.	15,000 PCS.



**Ordering Code**

① C I 44 ② 15 ③ S00 ④ 0 ⑤ 0 - ⑥ NH

- ① Series No.
- ② No. of Circuits: 02 to 15
- ③ S00= Housing
- ④ Color: 0 = Color Nature
- ⑤ Other Options: 0 = Standard
- ⑥ Process: -NH = Halogen-Free

① C I 44 ② T01 ③ 1 ④ P ⑤ P0

- ① Series No.
- ② Type: T01 = AWG #28 ~ #32
- ③ Plating Code: 1 = Tin over Nickel
- ④ Material: P = Phosphor Bronze
- ⑤ Other Options: P0 = Standard